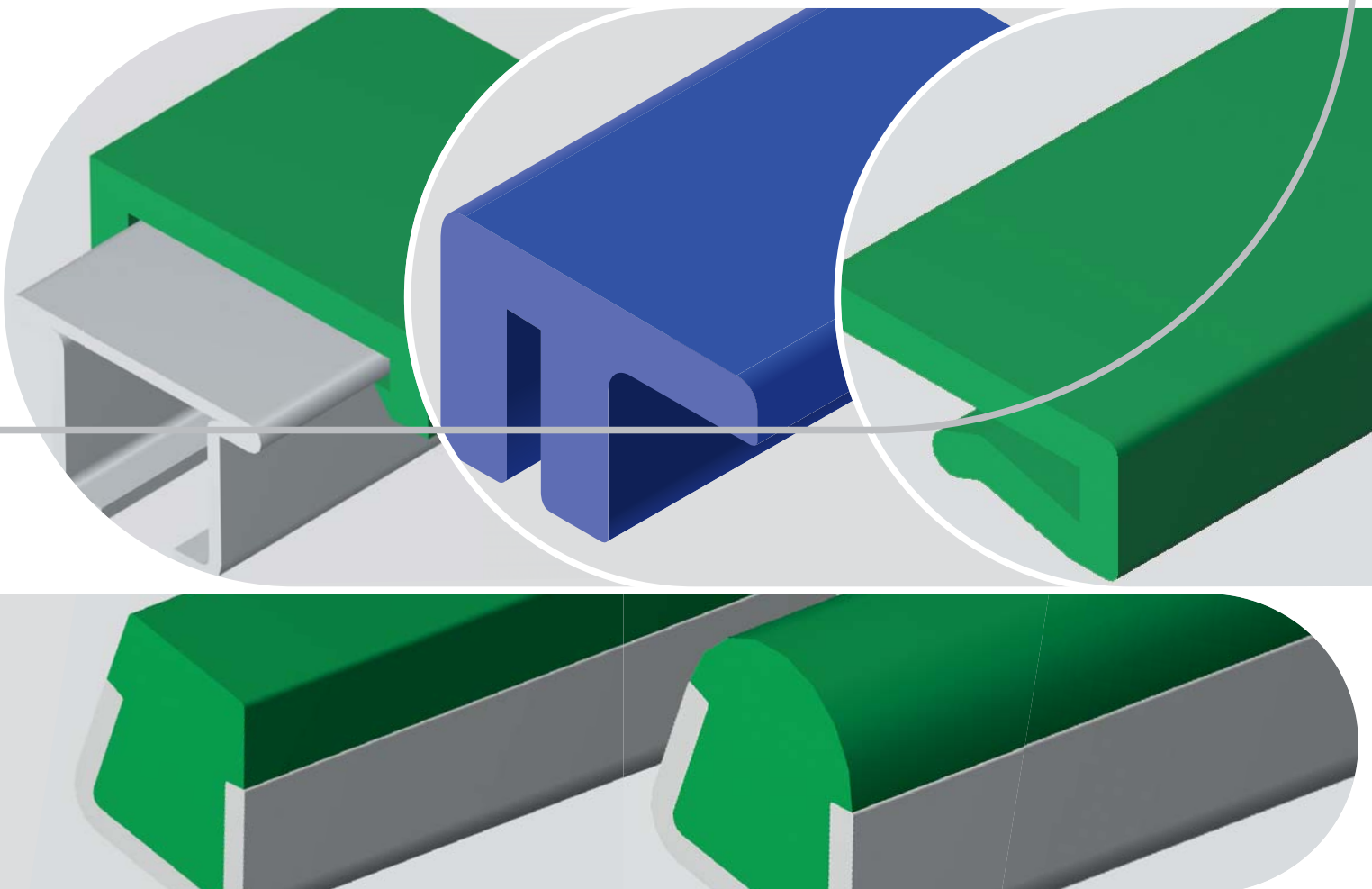


HabiPLAST®

Guides for roller chains
and belts, extruded profiles
and accessories

Habasit–Solutions in motion



Unlimited use of Habiplast® products	4	Steel profiles for Habiplast® guides	25
Applications	5	Accessories for metallic profiles	
Materials overview	6	CI-16/CIE-16 metallic profiles	26
Technical data	7	FC-20 fixing clamps for CI-16/CIE-16 metallic profiles	26
Standard tolerance grades	8	FC-50 connecting element for CI-16/CIE-16 metallic profiles	26
Chemical resistance	9	Extruded profiles	27
Guide profiles	12	LK20 profile	28
Roller chain guides		LK25 profile	28
T1 guides for single roller chains	13	LK40 profile	28
T2 guides for double roller chains	14	Z profile	29
T3 guides for triple roller chains	15	ZR profile	29
ET guides for metallic profile for single overlapped chains	15	ZR2 profile	29
T1C guides for metallic profile for single roller chains	16	ZK (D, E, F, G, H, J) profiles	30
T2C guides for metallic profile for double roller chains	16	ZK profile	30
E1 guides for single roller chains	17	L profile	30
E2 guides for double roller chains	17	T profile	31
E1C guides for metallic profile for single roller chains	18	TR profile (for CI-16/CIE-16 metallic profiles)	31
E2C guide for metallic profile for double roller chains	18	U2T profile (for CI-16/CIE-16 metallic profiles)	31
U guides for vertical roller chains	19	U2 profile (for CI-16/CIE-16 metallic profiles)	32
UC guides for metallic profile for vertical roller chains	19	U profile (for CI-16/CIE-16 metallic profiles)	32
BL guides for vertical single roller chains	20	U1 profile (for CI-16/CIE-16 metallic profiles)	32
BLC guides for metallic profile for vertical single roller chains	20	C-02 profile (for CI-16/CIE-16 metallic profiles)	33
KC guides for metallic profile for vertical single roller chains	21	C-05 profile (machined)	33
BKC guides for metallic profile for single roller chains	21	C-07 profile (machined)	33
Round belt guides		C-09 profile (machined)	34
R guides for round belts	22	C-12 profile	34
RC guides for metallic profiles for round belts	22	RP profile (for C-3 metallic profile)	34
V-belt guides		GL-1 profile	35
V guides for V-belts	23	GL-2 profile	35
VC guides for metallic profile for V-belts	23	GL-3 profile	35
Flat belt guides		GL-6 profile	36
PC slide rails for metallic profile	24	GL-7 profile	36
		GL-4 profile	37
		GL-5 profile	37
		MB 01 profile	38
		MB 01T profile	38
		MB 02 profile	38
		MB 02S profile	39
		MB 02U profile	39
		SP2 cage bars for spiral applications (machined profile)	39
		P-20 profile	40
		P-40 profile	40
		GL-501 profile	41
		MGL-501 clamps (for GL-501 profiles)	41

Extruded guides with conical stainless steel profiles

MB T CI 317 M.....	42
MB T CIE 317 M	42
MB LT CI 317 M.....	42
MB LT CIE 317 M.....	42
RP CI S 01.....	43
RP CIE S 01.....	43
RP CI S 02.....	43
RP CIE S 02	43
RP CI S 03	44
RP CIE S 03	44
RP CI S 04	44
RP CIE S 04	44

Straight and corner neck profiles

NGR E 32 straight neck profile (extruded).....	45
NGR 32 straight neck profile (machined)	45
CNGR 32 corner neck profile (machined).....	45

Machined profiles for chains C3200/C3210

GC 01 for straight chain C3200	46
GC 02 for radius chain C3210.....	46

Tapes in PE.....	47
------------------	----

WS 01 Wear strip kit.....	48
---------------------------	----

Corner and straight tracks

Straight tracks	49
Corner tracks	50

Guides for HabaSYNC® timing belts	53
---	----

Services	58
----------------	----

The Habasit solution	59
----------------------------	----

Contacts	60
----------------	----

This **disclaimer** is made by and on behalf of Habasit and its affiliated companies, directors, employees, agents and contractors (hereinafter collectively "HABASIT") with respect to the products referred to herein (the "Products"). SAFETY WARNINGS SHOULD BE READ CAREFULLY AND ANY RECOMMENDED SAFETY PRECAUTIONS BE FOLLOWED STRICTLY! Please refer to the Safety Warnings herein, in the Habasit catalogue as well as installation and operating manuals. All indications / information as to the application, use and performance of the Products are recommendations provided with due diligence and care, but no representations or warranties of any kind are made as to their completeness, accuracy or suitability for a particular purpose. The data provided herein are based on laboratory application with small-scale test equipment, running at standard conditions, and do not necessarily match product performance in industrial use. New knowledge and experience may lead to re-assessments and modifications within a short period of time and without prior notice. EXCEPT AS EXPLICITLY WARRANTED BY HABASIT, WHICH WARRANTIES ARE EXCLUSIVE AND IN LIEU OF ALL OTHER WARRANTIES, EXPRESS OR IMPLIED, THE PRODUCTS ARE PROVIDED "AS IS". HABASIT DISCLAIMS ALL OTHER WARRANTIES, EITHER EXPRESS OR IMPLIED, INCLUDING, BUT NOT LIMITED TO, IMPLIED WARRANTIES OF MERCHANTABILITY, FITNESS FOR A PARTICULAR PURPOSE, NON-INFRINGEMENT, OR ARISING FROM A COURSE OF DEALING, USAGE, OR TRADE PRACTICE, ALL OF WHICH ARE HEREBY EXCLUDED TO THE EXTENT ALLOWED BY APPLICABLE LAW. BECAUSE CONDITIONS OF USE IN INDUSTRIAL APPLICATION ARE OUTSIDE OF HABASIT'S CONTROL, HABASIT DOES NOT ASSUME ANY LIABILITY CONCERNING THE SUITABILITY AND PROCESS ABILITY OF THE PRODUCTS, INCLUDING INDICATIONS ON PROCESS RESULTS AND OUTPUT.

HabiPLAST®

Leader in production and sales of conveyor belts, year by year Habasit has developed a comprehensive knowledge in various sectors of production processes.

To offer a more and more complete service, Habasit created the HabiPLAST® division, specialized in supplying of thermoplastic products for engineering and industrial applications like extruded profiles, machined profiles, sliding guides, wear strips, plastic parts, ect.

Industries and applications

HabiPLAST® products are used in many industries and are the best complement for HabasitLINK® modular belts, HabaCHAIN® slat and conveyor chains, and HabaSYNC® timing belts.

Food

- Bakery/Biscuit
- Meat
- Fish
- Poultry
- Dairy
- Agriculture

Bottling Industry

Materials Handling

- Distribution centers
- General conveyor systems

Airports

- Baggage handling

Automotive

- Assembling operations

Paper

Packaging

- Packaging machinery

Fitness

- Leisure park applications
- Winter applications

Chemistry

Production

HabiPLAST® products are machined in our modern plants in Vittorio Veneto and Vigliano Biellese (Italy). The factories are equipped with the most technologically advanced systems and equipments available. CNC machines guarantee a remarkable flexibility and big productive volumes always of high quality. Our stock of standard products ensures deliveries on time. HabiPLAST® division could also realize parts on the basis of customer's drawings.

Competence and experience

Habasit application engineers and technicians are at your disposal to provide professional consulting, superb customer care and excellent support.

With more than 60 years of experience and a comprehensive global network, Habasit is able to respond to any request that you may have with the optimal solution tailored to your specific needs.



Food

- Wear strips and guide profiles
- Customized parts



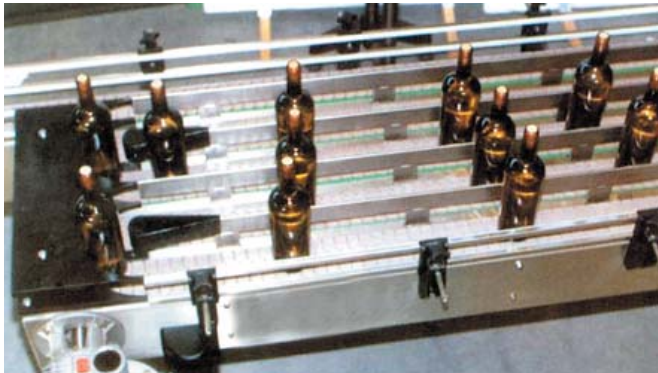
Spiral applications

- Cage bars
- Wear strips for modular belts



Bottling industry

- Wear strips for table top chains
- Guide profile
- Curves for side flexing chains



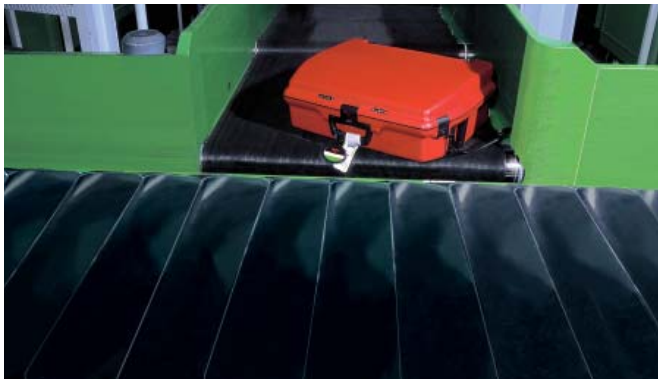
Bottling

- Bottling components
- On drawing parts



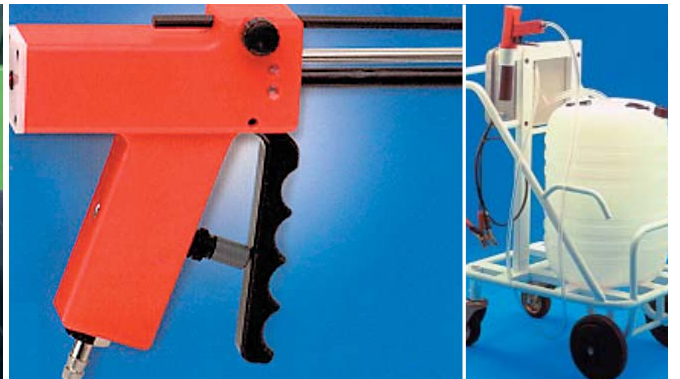
Materials Handling

- Wear strips
- Side guide profiles



Chemistry

- On drawing parts



Habasisit standard engineering polymers

Habasisit offers a wide range of materials in order to satisfy all customer's needs.

HabiPLAST®

HabiPLAST® is a polyethylene with high molecular weight, obtained by a low pressure polymerization process. The medium molecular weight of HabiPLAST® is between 0.3 and 8 millions of g/mol (measured by a viscosimeter).

Together with molecular weight also mechanical features increase, such as: impact resistance, tensile strength at high temperature, energy absorption under high stress level, etc.

Acronym	Family	Habasisit denomination
PE	Polyethylene	HabiPLAST®
PA	Polyamide	Habilon
POM	Polyoxymethylene	Habital
PET	Polyethylene terephthalate	Habipet
PTFE	Polytetrafluorethylene	Habifluor
PVC	Polyvinylchloride	Habivit
PP	Polypropylene	Habipro

HabiPLAST® variant	Material properties
UHV	Polyethylene ultra high molecular weight (4.000.000)
UHV-TP	Polyethylene ultra high molecular weight (4.000.000) - TriboPlus™
UHR	Polyethylene high molecular weight (1.000.000)
H/SA	Polyethylene high medium molecular weight (500.000/700.000)
HE/M	Polyethylene medium molecular weight (300.000/500.000)



HabiPLAST® features

- Low coefficient of friction
- Self-lubricating
- Good vibration and noise absorption
- High wear resistance
- High chemical resistance, no corrosion
- No moisture absorption
- High dielectric strength
- High impact and fracture strength

HabiPLAST® TriboPlus™ represents a new generation of polyethylene with the highest performances in terms of low friction coefficient and high wear resistance.

Compared to the standard high-density polyethylene (UHV), laboratory tests showed the following properties of HabiPLAST® TriboPlus™ (UHV-TP):

- Reduction of friction and power consumption of about 50%
- Nearly complete absence of wear
- Much higher load limit

	Units of measure	PE HabiPLAST®	PA Habilon	POM Habitall	PET Habipet	PTFE Habifluor	PVC Habivit	PP Habipro
Physical data								
Density	g/cm ³	0.93 – 0.95	1.15 – 1.18	1.41	1.39	2.2	1.43	0.92
Water absorption	%	0	5.5 – 9.5	0.85	0.5	0	0.1	0
Mechanical data								
Tensile strength R	N/mm ²	17 – 28	60 – 85	68 – 78	60 – 90	20 – 25	33 – 55	20 – 30
Elongation at break	%	>50	40 – 200	35	15	>50	21 – 25	13
Modulus of elasticity (tensile test)	N/mm ²	700 – 950	1,800 – 3,100	2,100 – 3,100	2,500 – 2,800	700	3,000 – 3,200	1,100 – 1,900
Brinell hardness	–	38 – 45	145 – 165	140 – 170	150 – 170	25 – 30	150 – 170	140
Coefficient of friction on dry steel	–	0.2	0.4 – 0.6	0.34	0.18	0.06	0.25	0.30
Thermal data								
Linear thermal expansion coefficient: Average between 23 and 100 °C	mm/ (m x °C)	0.2	0.12	0.09	0.08	0.01	0.08	0.13
Lower limit of operation temperature	°C	- 70	- 46	- 40	- 20	- 20	0	5
Upper limit of operation temperature	°C	+ 65	+ 100	+ 110	+ 110	+ 260	+ 60	+ 105

- The mechanical characteristics are measured at 23 °C

Nominal Dimension [mm]		(1) IT1	(1) IT2	(1) IT3	(1) IT4	(1) IT5	IT6	IT7	IT8	IT9	IT10	IT11	IT12	(3) IT13	(2) IT14	(2) IT15	(2) IT16	(2) IT17	(2) IT18
From	to	Tolerance																	
		[µm]												[mm]					
-	3	0.8	1.2	2.0	3	4	6	10	14	25	40	60	0.10	0.14	0.25	0.40	0.60	1.0	1.4
3	6	1.0	1.5	2.5	4	5	8	12	18	30	48	75	0.12	0.19	0.30	0.48	0.75	1.2	1.8
6	10	1.0	1.5	2.5	4	6	9	15	22	36	58	90	0.15	0.22	0.36	0.58	0.90	1.5	2.2
10	18	1.2	2.0	3.0	5	8	11	18	27	43	70	110	0.18	0.27	0.43	0.70	1.10	1.8	2.7
18	30	1.5	2.5	4.0	6	9	13	21	33	52	84	130	0.21	0.33	0.52	0.84	1.30	2.1	3.3
30	50	1.5	2.5	4.0	7	11	16	25	39	62	100	160	0.25	0.39	0.62	1.00	1.60	2.5	3.9
50	80	2.0	3.0	5.0	8	13	19	30	46	74	120	190	0.30	0.46	0.74	1.20	1.90	3.0	4.6
80	120	2.5	4.0	6.0	10	15	22	35	54	87	140	220	0.35	0.54	0.87	1.40	2.20	3.5	5.4
120	180	3.5	5.0	8.0	12	18	25	40	63	100	160	250	0.40	0.63	1.00	1.60	2.50	4.0	6.3
180	250	4.7	7.0	10.0	14	20	29	46	72	115	185	290	0.46	0.72	1.15	1.85	2.90	4.6	7.2
250	315	6.0	8.0	12.0	16	23	32	52	81	130	210	320	0.52	0.81	1.30	2.10	3.20	5.2	8.1
315	400	7.0	9.0	13.0	18	25	36	57	89	140	230	360	0.57	0.89	1.40	2.30	3.60	5.7	8.9
400	500	8.0	10.0	15.0	20	27	40	63	97	155	250	400	0.63	0.97	1.55	2.50	4.00	6.3	9.7
500	630	9.0	11.0	16.0	22	32	44	70	110	175	280	440	0.70	1.10	1.75	2.80	4.40	7.0	11.0
630	800	10.0	13.0	18.0	25	36	50	80	125	200	320	500	0.80	1.25	2.00	3.20	5.00	8.0	12.5
800	1,000	11.0	15.0	21.0	28	40	56	90	140	230	360	560	0.90	1.40	2.30	3.60	5.60	9.0	14.0
1,000	1,250	13.0	18.0	24.0	33	47	66	105	165	260	420	660	1.05	1.65	2.60	4.20	6.60	10.5	16.5
1,250	1,600	15.0	21.0	29.0	39	55	78	125	195	310	500	780	1.25	1.95	3.10	5.00	7.80	12.5	19.5
1,600	2,000	18.0	25.0	35.0	46	65	92	150	230	370	600	920	1.50	2.30	3.70	6.00	9.2	15.0	23.0
2,000	2,500	22.0	30.0	41.0	55	78	110	175	280	440	700	1,100	1.75	2.80	4.40	7.00	11.0	17.5	28.0
2,500	3,150	26.0	36.0	50.0	68	96	135	210	330	540	860	1,350	2.10	3.30	5.40	8.60	13.5	21.0	33.0

⁽¹⁾ For dimensions > 500 mm the standard tolerance grades are only experimental

⁽²⁾ Not to be used with dimensions < 1 mm

⁽³⁾ Tolerance applied to the HabIPLAST® machined parts

Material	PE HabiPLAST®		PA Habilon		POM Habitall		PP Habipro	
	20°C 70°F	60°C 140°F	20°C 70°F	60°C 140°F	20°C 70°F	60°C 140°F	20°C 70°F	60°C 140°F
Acetic Acid > 5%	●	⊙	○	○	⊙	○	●	●
Acetic Acid > 5%	●	●	⊙	○	●	—	●	●
Acetone	●	●	●	●	⊙	⊙	●	●
Alcohol - all types	●	●	●	●	●	⊙	●	●
Aluminium comp.	●	●	●	●	—	—	●	●
Ammonia	●	●	●	●	●	●	●	●
Ammonium comp.	●	●	●	●	—	—	●	●
Aniline	●	○	—	—	—	⊙	●	●
Aqua Regia	⊙	○	○	○	—	—	○	○
Arsenic Acid	●	●	—	—	—	—	●	●
Barium comp.	●	●	●	●	—	—	●	●
Beer	●	●	—	—	●	—	●	●
Benzene	⊙	○	●	●	⊙	⊙	⊙	○
Benzenesulfonic Acid - 10%	●	●	—	—	—	—	●	●
Benzoic Acid	●	●	⊙	⊙	—	—	●	●
Beverages (soft-drinks)	●	●	●	●	●	●	●	●
Borax	●	●	—	—	—	—	●	●
Boric Acid	●	●	●	●	—	—	●	●
Brine - 10%	●	●	—	—	●	●	●	●
Butyl Acrylate	●	⊙	—	—	—	—	○	○
Butyric Acid	●	⊙	●	●	—	—	●	—
Butter	●	—	●	—	●	—	●	—
Carbon Dioxide	●	●	●	●	—	—	●	●
Carbon Disulfide	⊙	○	●	●	—	—	⊙	○
Carbon Tetrachloride	⊙	○	●	●	●	⊙	⊙	○
Cheese	●	—	○	—	●	—	●	—
Chloroacetic Acid	●	●	○	○	—	—	●	●
Chlorine - Gas	⊙	○	○	○	○	○	○	○
Chlorine - Liquid	○	○	○	○	○	○	○	○

Material	PE HabiPLAST®		PA Habilon		POM Habitall		PP Habipro	
	20°C 70°F	60°C 140°F	20°C 70°F	60°C 140°F	20°C 70°F	60°C 140°F	20°C 70°F	60°C 140°F
Chlorine Water - 4%	⊙	⊙	○	○	○	○	⊙	⊙
Chlorobenzene	⊙	○	●	●	⊙	⊙	○	○
Chloroform	○	○	⊙	—	○	○	○	○
Chocolate	⊙	—	○	—	⊙	—	—	—
Chromic Acid - 50%	●	⊙	⊙	—	○	○	●	●
Chromic Acid - 3%	●	●	—	—	⊙	⊙	●	●
Citric Acid - 40%	●	●	●	●	●	⊙	●	●
Citric Acid - 10%	●	●	●	●	●	—	●	●
Citrus Juices	●	●	●	●	●	—	●	●
Coconut Oil	●	●	●	—	●	●	●	●
Copper comp.	●	●	⊙	—	—	—	●	●
Corn Oil	●	●	●	—	●	●	●	●
Cottonseed Oil	●	●	●	—	●	●	●	●
Cresol	●	⊙	○	○	—	—	●	●
Cyclohexane	○	○	⊙	—	—	—	●	⊙
Cyclohexanone	○	○	⊙	—	—	—	●	⊙
Detergents	●	●	●	—	●	●	●	●
Dextrin	●	●	—	—	—	—	●	●
Dibutyl Phthalate	●	●	●	●	—	—	●	⊙
Diethyl Ether	○	○	●	●	⊙	⊙	○	○
Diethylamine	⊙	○	—	—	—	—	●	●
Diglycolic Acid - 30%	●	●	—	—	—	—	●	●
Diisooctyl Phthalate	●	●	—	—	—	—	●	●
Dimethyl Phthalate	●	●	—	—	—	—	●	●
Dimethylamine	●	—	●	●	—	—	●	—
Diocetyl Phthalate	●	—	●	●	—	—	●	—
Ethyl Acetate	⊙	⊙	●	●	⊙	○	●	●
Ethyl Ether	⊙	⊙	—	—	—	—	⊙	⊙
Ethylamine	●	●	—	—	—	—	●	●

Legend: ● = resistant ⊙ = limited resistance ○ = not resistant — = not available

Material	PE HabiPLAST®		PA Habilon		POM Habal		PP Habipro	
	20°C 70°F	60°C 140°F	20°C 70°F	60°C 140°F	20°C 70°F	60°C 140°F	20°C 70°F	60°C 140°F
Ethylene Glycol 50%	●	●	●	⊙	●	⊙	●	●
Ferric/Ferrous Comp.	●	●	—	—	⊙	○	●	●
Formaldehyde - 37%	●	⊙	—	—	●	●	●	●
Formic Acid - 85%	●	●	⊙	○	—	—	●	⊙
Freon	●	●	—	—	⊙	⊙	—	—
Fuel Oil #2	●	○	●	●	⊙	⊙	●	⊙
Fruit Juices	●	●	●	—	●	—	●	●
Furfural	⊙	○	●	—	—	—	⊙	⊙
Gasoline	●	○	●	●	●	●	⊙	○
Glucose	●	●	—	—	●	●	●	●
Glycerol	●	●	●	●	—	—	●	●
Heptane	⊙	○	●	●	●	●	○	○
Hexane	○	○	●	●	●	—	●	⊙
Hydrobromic Acid 50%	●	●	○	○	—	—	●	●
Hydrochloric Acid 35%	●	●	○	○	○	○	●	●
Hydrochloric Acid 10%	●	●	○	○	○	○	●	●
Hydrofluoric Acid 35%	●	●	○	○	○	○	●	●
Hydrogen Peroxid 3%	●	●	⊙	⊙	●	●	●	●
Hydrogen Peroxide 90%	●	⊙	○	○	⊙	○	●	●
Hydrogen Sulfide	●	●	●	●	—	—	○	○
Igepal - 50%	—	—	—	—	●	⊙	●	●
Iodine - Chrystals	⊙	⊙	○	○	○	○	●	●
Isooctane	●	—	●	●	—	—	○	○
Isopropyl Alcohol	●	●	●	●	●	●	●	●
Jet Fuel	⊙	⊙	●	●	●	●	⊙	○
Kerosene	⊙	⊙	—	—	●	●	⊙	○
Lactic Acid	●	●	⊙	○	—	—	●	●
Lanolin	●	●	—	—	—	—	●	⊙
Malic Acid - 50%	●	●	●	—	—	—	●	●

Material	PE HabiPLAST®		PA Habilon		POM Habal		PP Habipro	
	20°C 70°F	60°C 140°F	20°C 70°F	60°C 140°F	20°C 70°F	60°C 140°F	20°C 70°F	60°C 140°F
Manganese Sulfate	●	●	●	●	—	—	●	●
Margarine	●	●	⊙	⊙	—	—	●	—
Mercury	●	●	—	—	—	—	●	●
Methyl Chloride	●	●	●	—	—	—	●	●
Methyl Ethyl Ketone	●	●	●	●	—	—	⊙	⊙
Methyl Isobut. Ketone	○	○	●	—	⊙	⊙	●	⊙
Methylsulfuric Acid	—	—	—	—	—	—	●	⊙
Methylene Chloride	●	●	—	—	—	—	●	●
Milk	○	○	⊙	⊙	—	—	⊙	○
Mineral Oil	●	●	●	●	●	●	●	●
Mineral Spirits	●	⊙	●	—	●	●	⊙	○
Molasses	●	●	—	—	—	—	⊙	○
Motor Oil	●	●	●	●	—	—	●	●
Naphta	●	●	●	●	●	●	—	—
Nitric Acid - 30%	⊙	○	●	●	—	—	●	⊙
Nitric Acid - 50%	●	●	○	○	○	○	●	⊙
Nitrobenzene	●	⊙	○	○	○	○	⊙	○
Nitrous Acid	○	○	⊙	—	—	—	●	⊙
Nitrous Oxide	●	●	—	—	—	—	●	—
Oleic Acid	●	●	—	—	—	—	●	—
Olive Oil	●	●	●	●	●	●	●	○
Oxalic Acid	●	●	—	—	—	—	●	●
Ozone	●	●	—	—	—	—	●	●
Palmitic Acid - 70%	⊙	○	⊙	⊙	○	○	⊙	⊙
Paraffin	●	●	●	—	—	—	●	●
Peanut Oil	●	●	●	●	●	●	●	●
Perchloric Acid 20%	●	●	●	—	—	—	●	●
Perchloroethylene	●	●	—	—	—	—	●	●
Phthalic Acid - 50%	○	○	⊙	○	—	—	○	○

Legend: ● = resistant ⊙ = limited resistance ○ = not resistant — = not available

Material	PE HabiPLAST®		PA Habilon		POM Habal		PP Habipro	
	20°C 70°F	60°C 140°F	20°C 70°F	60°C 140°F	20°C 70°F	60°C 140°F	20°C 70°F	60°C 140°F
Chemicals								
Phenol	●	●	—	—	—	—	●	●
Phenol 5%	●	●	○	○	○	○	●	●
Phosphoric Acid 30%	●	●	○	○	○	○	●	●
Phosphoric Acid 85%	●	●	○	○	⊙	○	●	●
Photographics Solutions	●	●	○	○	⊙	○	●	●
Plating Solutions	●	●	●	—	—	—	●	●
Potassium comp.	●	●	—	—	—	—	●	●
Potassium Hydroxide	●	●	⊙	—	●	●	●	●
Potassium Iodide (3% Iodine)	●	●	⊙	—	●	●	●	●
Potassium Permanganate	●	●	—	—	—	—	●	●
Sea Water	●	—	⊙	—	⊙	—	●	—
Silver Cyanide	●	●	○	○	—	—	●	⊙
Silver Nitrate	●	●	—	—	—	—	●	●
Sodium Comp.	●	●	—	—	—	—	●	●
Sodium Chlorite	●	●	—	—	—	—	●	●
Sodium Hydroxide	●	●	○	○	—	—	●	⊙
Sodium Hydroxide 60%	●	●	○	○	●	●	●	●
Sodium Hypo-chlorite (5% Cl)	●	●	○	○	●	●	●	●
Stearic Acid	●	⊙	⊙	—	○	○	●	●
Sulfamic Acid 20%	●	⊙	●	●	⊙	—	●	●
Sulfate Liquors	●	●	○	○	—	—	●	●
Sulfur	●	●	—	—	—	—	●	●

Material	PE HabiPLAST®		PA Habilon		POM Habal		PP Habipro	
	20°C 70°F	60°C 140°F	20°C 70°F	60°C 140°F	20°C 70°F	60°C 140°F	20°C 70°F	60°C 140°F
Chemicals								
Sulfur Chloride	●	●	●	●	—	—	●	●
Sulfur Dioxide	●	—	—	—	—	—	●	—
Sulfur Acid 10%	●	●	⊙	⊙	○	○	●	●
Sulfur Acid 50%	●	●	○	○	●	○	●	●
Sulfur Acid 70%	●	●	○	○	○	○	●	●
Sulfurous Acid	●	⊙	○	○	○	○	●	⊙
Tannic Acid 10%	●	●	⊙	⊙	—	—	●	—
Tartaric Acid	●	●	—	—	—	—	●	●
Tetrahydrofuran	●	●	⊙	⊙	—	—	●	●
Toluene	—	—	●	—	⊙	⊙	⊙	○
Transformer Oil	○	○	●	●	⊙	○	○	○
Tributyl Phosphate	●	⊙	●	●	—	—	●	⊙
Trichloroacetic Acid	●	●	—	—	—	—	●	⊙
Trichloroethylene	⊙	—	○	○	—	—	●	●
Trisodium Phosphate	○	○	⊙	○	⊙	⊙	○	○
Tricresyl Phosphate	●	●	—	—	—	—	●	⊙
Turpentine	●	●	—	—	—	—	●	●
Urea	●	○	●	●	●	—	⊙	○
Vinegar	●	●	●	●	—	—	●	●
Wine	—	—	●	●	●	●	●	●
Whisky	●	—	●	—	●	—	●	—
Xylene	●	●	●	●	●	●	●	●

Legend: ● = resistant ⊙ = limited resistance ○ = not resistant — = not available

HabiPLAST® guide profiles are the best solution for improving performances and reducing maintenance of roller chains, V-belts or round belts. Habasit offers a full range of guides and can produce any kind of profile according to customer's specifications.

HabiPLAST® key features

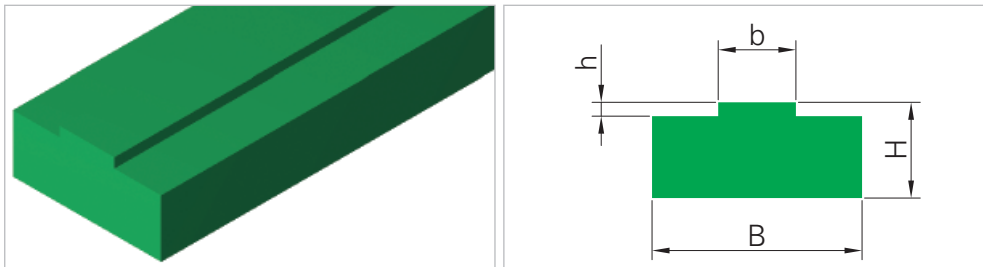
- Excellent sliding of the chain
- Great wear resistance
- Low coefficient of friction (less driving power required)
- Low noise
- Good resistance against impacts also at low temperature
- High chemical resistance
- Easy and quick assembly
- Corrosion resistance

Standard material and length

- Standard material for guide profiles is HabiPLAST® UHR/G green
- Standard length is 3 m
- Other materials and lengths up to max 6 m are available on request



T1 guides for single roller chains



ISO chains

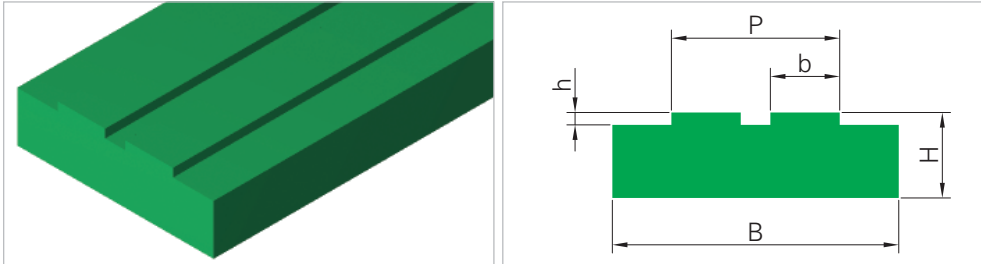
Type	Chain	Ref. ISO	B [mm]	H [mm]	b [mm]	h [mm]
T1-01	3/8" x 7/32"	06-B1	15	10	5.4	1.5
T1-05	1/2" x 5/16"	08-B1	20	10	7.4	2.2
T1-06	1/2" x 5/16"	08-B1	20	15	7.4	2.2
T1-07	1/2" x 5/16"	08-B1	20	20	7.4	2.2
T1-09	5/8" x 3/8"	10-B1	20	10	9.2	2.6
T1-10	5/8" x 3/8"	10-B1	20	15	9.2	2.6
T1-11	5/8" x 3/8"	10-B1	20	20	9.2	2.6
T1-13	3/4" x 7/16"	12-B1	25	10	11.3	2.4
T1-14	3/4" x 7/16"	12-B1	25	15	11.3	2.4
T1-15	3/4" x 7/16"	12-B1	25	20	11.3	2.4
T1-18	1" x 17mm	16-B1	40	15	16.5	3.5
T1-19	1" x 17mm	16-B1	40	20	16.5	3.5
T1-21	1 1/4" x 3/4"	20-B1	45	15	19	4.3
T1-22	1 1/4" x 3/4"	20-B1	45	20	19	4.3
T1-24	1 1/2" x 1"	24-B1	60	15	24.6	5.6
T1-25	1 1/2" x 1"	24-B1	60	20	24.6	5.6
T1-27	1 3/4" x 31mm	28-B1	75	20	30	6.9
T1-30	2" x 31mm	32-B1	80	20	30	7.8

ASA chains

Type	Chain	Ref. ASA	B [mm]	H [mm]	b [mm]	h [mm]
T1-51	3/8" x 3/16"	ASA 35	15	10	4	2.2
T1-54	1/2" x 5/16"	ASA 40	20	10	7.1	2.3
T1-55	1/2" x 5/16"	ASA 40	20	15	7.1	2.3
T1-56	1/2" x 5/16"	ASA 40	20	20	7.1	2.3
T1-58	5/8" x 3/8"	ASA 50	20	10	8.6	2.7
T1-59	5/8" x 3/8"	ASA 50	20	15	8.6	2.7
T1-60	5/8" x 3/8"	ASA 50	20	20	8.6	2.7
T1-62	3/4" x 1/2"	ASA 60	25	10	11.9	3.4
T1-63	3/4" x 1/2"	ASA 60	25	15	11.9	3.4
T1-64	3/4" x 1/2"	ASA 60	25	20	11.9	3.4
T1-66	1" x 5/8"	ASA 80	40	15	15.1	4.5
T1-68	1" x 5/8"	ASA 80	40	20	15.1	4.5

Standard PE	Color
UHR	Green 

T2 guides for double roller chains



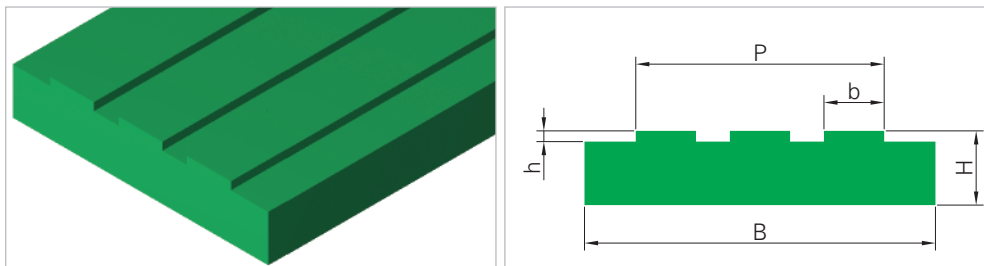
ISO chains

Type	Chain	Ref. ISO	B [mm]	H [mm]	b [mm]	h [mm]	P [mm]
T2-01	3/8" x 7/32"	06-B2	25	10	5.4	1.5	15.8
T2-05	1/2" x 5/16"	08-B2	35	10	7.4	2.2	21.4
T2-06	1/2" x 5/16"	08-B2	35	15	7.4	2.2	21.4
T2-07	1/2" x 5/16"	08-B2	35	20	7.4	2.2	21.4
T2-09	5/8" x 3/8"	10-B2	40	10	9.2	2.6	25.8
T2-10	5/8" x 3/8"	10-B2	40	15	9.2	2.6	25.8
T2-11	5/8" x 3/8"	10-B2	40	20	9.2	2.6	25.8
T2-13	3/4" x 7/16"	12-B2	45	15	11.3	2.4	30.8
T2-14	3/4" x 7/16"	12-B2	45	20	11.3	2.4	30.8
T2-15	1" x 17mm	16-B2	65	15	16.5	3.5	48.4
T2-18	1" x 17mm	16-B2	65	20	16.5	3.5	48.4
T2-19	1 1/4" x 3/4"	20-B2	70	15	19	4.3	54.5
T2-21	1 1/4" x 3/4"	20-B2	70	20	19	4.3	54.5
T2-22	1 1/2" x 1"	24-B2	88	20	24.6	5.6	73.0
T2-24	1 3/4" x 31mm	28-B2	105	25	30	6.9	89.6
T2-25	2" x 31mm	32-B2	105	30	30	7.8	88.7

ASA chains

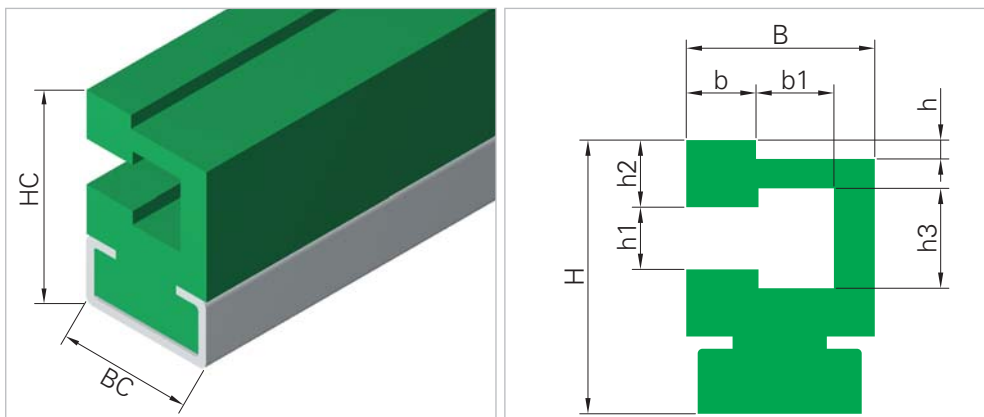
Type	Chain	Ref. ASA	B [mm]	H [mm]	b [mm]	h [mm]	P [mm]
T2-51	3/8" x 3/16"	ASA 35.2	25	10	4	2.2	14.13
T2-55	1/2" x 5/16"	ASA 40.2	35	10	7.1	2.3	21.48
T2-56	1/2" x 5/16"	ASA 40.2	25	15	7.1	2.3	21.48
T2-57	1/2" x 5/16"	ASA 40.2	35	20	7.1	2.3	21.48
T2-59	5/8" x 3/8"	ASA 50.2	40	10	8.6	2.7	26.71
T2-60	5/8" x 3/8"	ASA 50.2	40	15	8.6	2.7	26.71
T2-61	5/8" x 3/8"	ASA 50.2	40	20	8.6	2.7	26.71
T2-63	3/4" x 1/2"	ASA 60.2	45	10	11.9	3.4	34.68
T2-64	3/4" x 1/2"	ASA 60.2	45	15	11.9	3.4	34.68
T2-65	3/4" x 1/2"	ASA 60.2	45	20	11.9	3.4	34.68
T2-67	1" x 5/8"	ASA 80.2	55	15	15.1	4.5	44.39
T2-68	1" x 5/8"	ASA 80.2	55	20	15.1	4.5	44.39

T3 guides for triple roller chains



Type	Chain	Ref. ISO	B [mm]	H [mm]	b [mm]	h [mm]	P [mm]
T3-01	3/8" x 7/32"	06-B3	35	10	5.4	1.5	25.9
T3-05	1/2" x 5/16"	08-B3	45	10	7.4	2.2	35.2
T3-06	1/2" x 5/16"	08-B3	45	15	7.4	2.2	35.2
T3-07	1/2" x 5/16"	08-B3	45	20	7.4	2.2	35.2
T3-09	5/8" x 3/8"	10-B3	55	10	9.2	2.6	42.4
T3-10	5/8" x 3/8"	10-B3	55	15	9.2	2.6	42.4
T3-11	5/8" x 3/8"	10-B3	55	20	9.2	2.6	42.4
T3-13	3/4" x 7/16"	12-B3	60	15	11.3	2.4	50.2
T3-14	3/4" x 7/16"	12-B3	60	20	11.3	2.4	50.2
T3-15	1" x 17mm	16-B3	95	20	16.5	3.5	80.3

ET guides for metallic profile for single overlapped chains

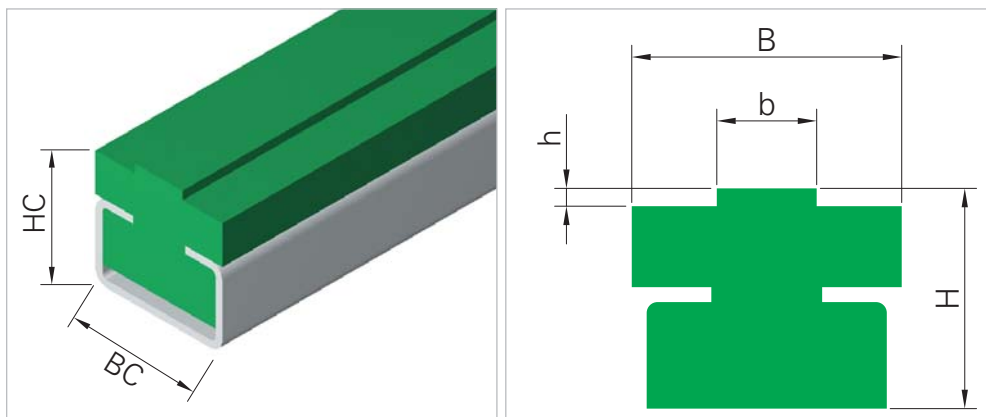


Type	Chain	Ref. ISO	Metallic profile	BC [mm]	HC [mm]	B [mm]	H [mm]	b [mm]	b1 [mm]	h [mm]	h1 [mm]	h2 [mm]	h3 [mm]
ET-00	3/8" x 7/32"	06-B1	C-3	20	28.7	20	26.4	5.4	4.4	1.4	6.6	5.5	9.3
ET-01	1/2" x 5/16"	08-B1	C-3	20	30.5	20	28	7.4	5.9	2	8.7	7.3	12.8
ET-02	5/8" x 3/8"	10-B1	C-3	20	36	20	34.1	9.2	5.3	2.5	10.7	9.5	15.4
ET-03	3/4" x 7/16"	12-B1	C-5	28	41.5	24	38.5	11.3	6	2.3	12.3	10.5	16.9
ET-04	1" x 17mm	16-B1	C-9	38	61.5	33.5	52.4	16.5	10.7	4.1	16.1	18.3	24.4

Standard PE	Color
UHR	Green 

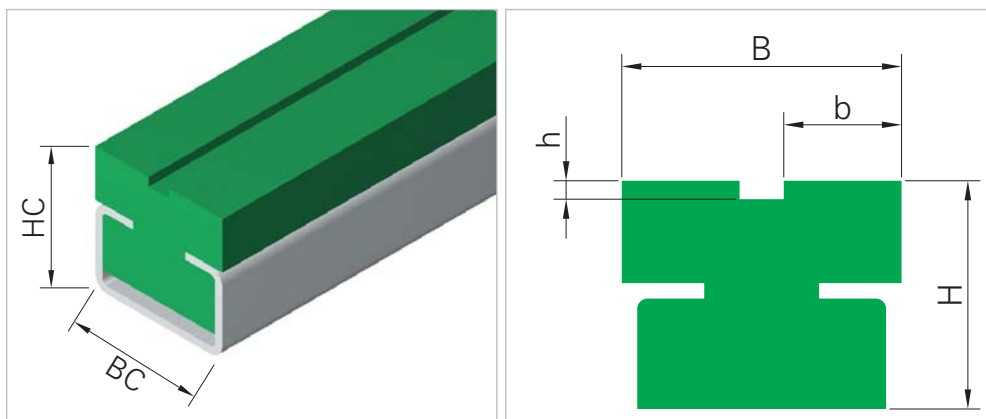
- Metallic profile is not included, it must be ordered separately. See "Steel profiles" and "Accessories"

T1C guides for metallic profile for single roller chains



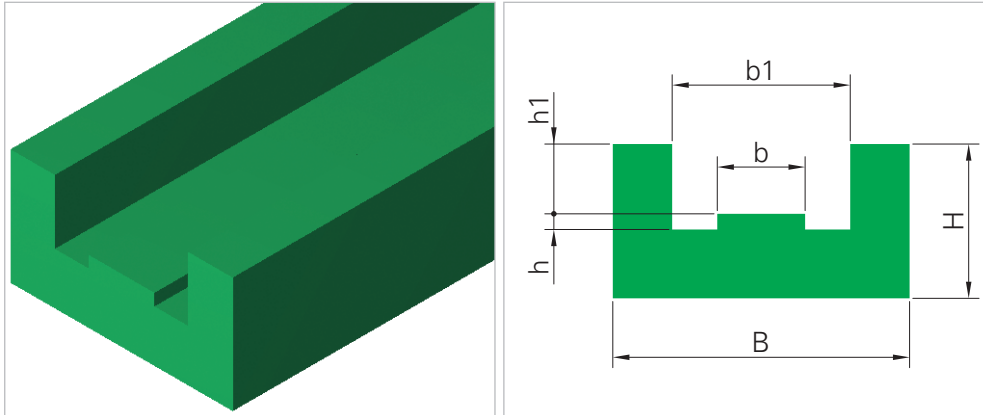
Type	Chain	Ref. ISO	Metallic profile	BC [mm]	HC [mm]	B [mm]	H [mm]	b [mm]	h [mm]
T1C-31	3/8" x 7/32"	06-B1	C-3	20	17	20	15	5.4	1.5
T1C-33	1/2" x 5/16"	08-B1	C-3	20	17	20	15	7.4	2.2
T1C-34	5/8" x 3/8"	10-B1	C-3	20	17	20	15	9.2	2.6
T1C-35	3/4" x 7/16"	12-B1	C-3	20	17	20	15	11.3	2.4
T1C-36	1" x 17mm	16-B1	C-5	28	18	28	15	16.5	3.5
T1C-37	1 1/4" x 3/4"	20-B1	C-9	38	27	38	20	19	4.3

T2C guides for metallic profile for double roller chains



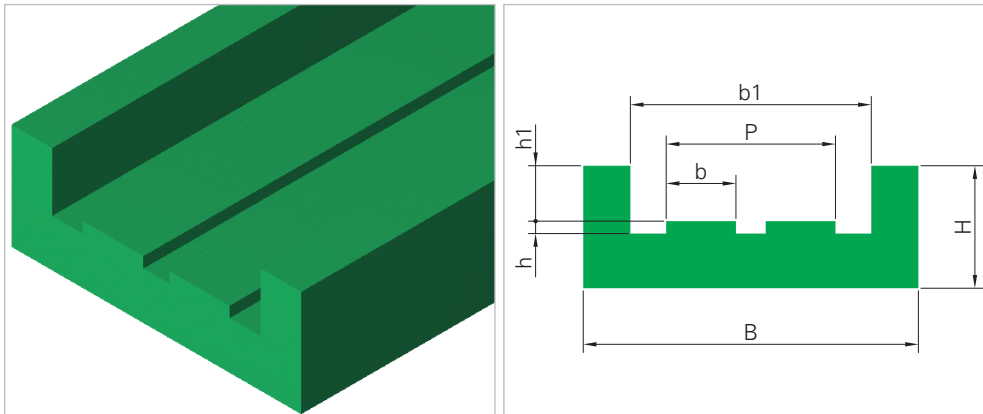
Type	Chain	Ref. ISO	Metallic profile	BC [mm]	HC [mm]	B [mm]	H [mm]	b [mm]	h [mm]
T2C-31	3/8" x 7/32"	06-B2	C-3	20	17	15.7	15	5.4	1.5
T2C-33	1/2" x 5/16"	08-B2	C-3	20	17	21.4	15	7.4	2.2
T2C-34	5/8" x 3/8"	10-B2	C-5	28	19	25.9	15	9.2	2.6
T2C-35	3/4" x 7/16"	12-B2	C-5	28	19	30.7	15	11.3	2.4
T2C-36	1" x 17mm	16-B2	C-9	38	27	48.3	20	16.5	3.5

E1 guides for single roller chains



Type	Chain	Ref. ISO	B [mm]	H [mm]	b [mm]	b1 [mm]	h [mm]	h1 [mm]
E1-01	3/8" x 7/32"	06-B1	25	10	5.4	15	1.5	4.4
E1-05	1/2" x 5/16"	08-B1	30	15	7.4	20	2.2	7.2
E1-06	5/8" x 3/8"	10-B1	33	20	9.2	23	2.6	9.5
E1-07	3/4" x 7/16"	12-B1	38	20	11.3	28	2.4	11.1
E1-10	1" x 17mm	16-B1	51	25	16.5	41	3.5	16.5

E2 guides for double roller chains

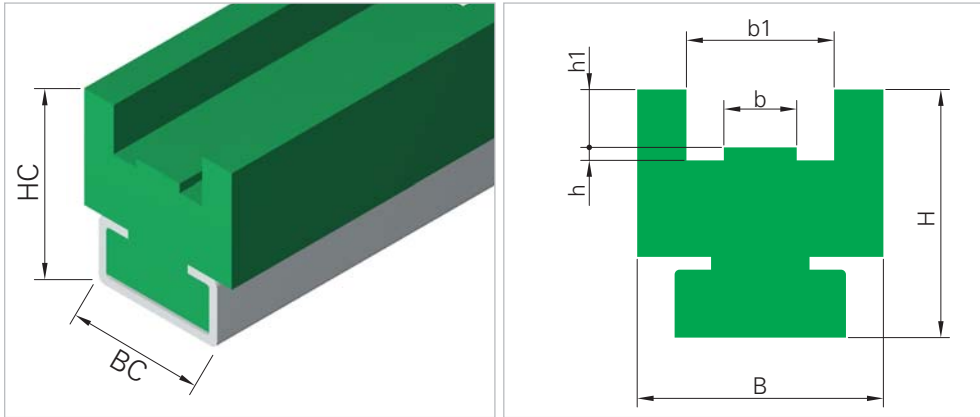


Type	Chain	Ref. ISO	B [mm]	H [mm]	b [mm]	b1 [mm]	P [mm]	h [mm]	h1 [mm]
E2-01	3/8" x 7/32"	06-B2	36	15	5.4	26	15.8	1.5	4.4
E2-05	1/2" x 5/16"	08-B2	45	20	7.4	35	21.4	2.2	7.2
E2-06	5/8" x 3/8"	10-B2	50	25	9.2	40	25.8	2.6	9.5
E2-07	3/4" x 7/16"	12-B2	56	25	11.3	46	30.8	2.4	11.1
E2-10	1" x 17mm	16-B2	85	30	16.5	75	48.8	3.5	16.5

Standard PE	Color
UHR	Green 

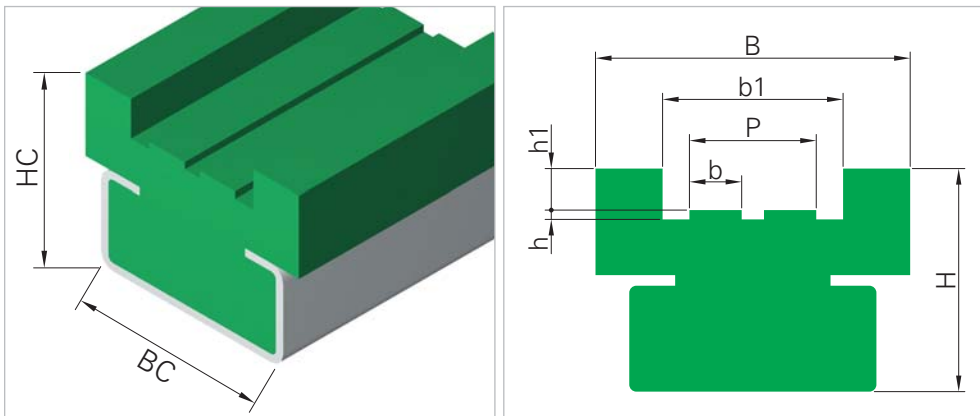
- Metallic profile is not included, it must be ordered separately. See "Steel profiles" and "Accessories"

E1C guides for metallic profile for single roller chains



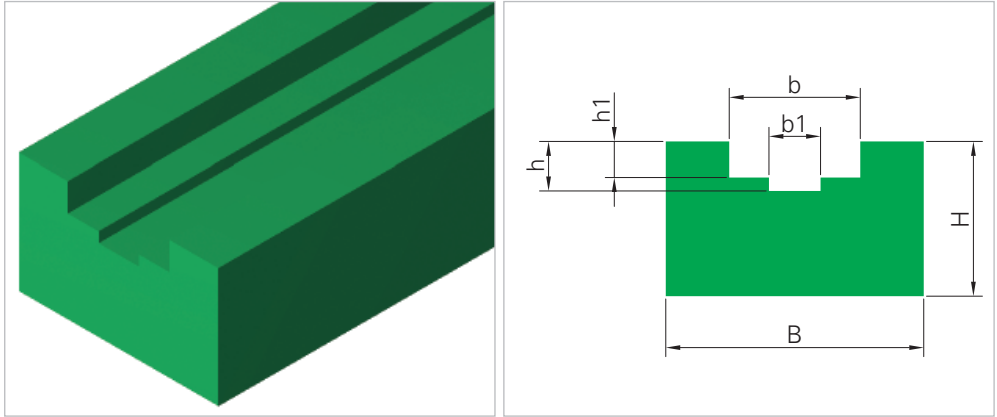
Type	Chain	Ref. ISO	Metallic profile	BC [mm]	HC [mm]	B [mm]	H [mm]	b [mm]	b1 [mm]	h [mm]	h1 [mm]
E1C-01	3/8" x 7/32"	06-B1	C-3	20	20	25	18	5.4	15	1.5	4.4
E1C-05	1/2" x 5/16"	08-B1	C-3	20	27	30	25	7.4	20	2.2	7.2
E1C-06	5/8" x 3/8"	10-B1	C-5	28	32	33	30	9.2	23	2.6	9.5
E1C-07	3/4" x 7/16"	12-B1	C-9	38	38.5	38	35	11.3	28	2.4	11.1
E1C-10	1" x 17mm	16-B1	C-9	38	43.5	51	40	16.5	41	3.5	16.5

E2C guides for metallic profile for double roller chains



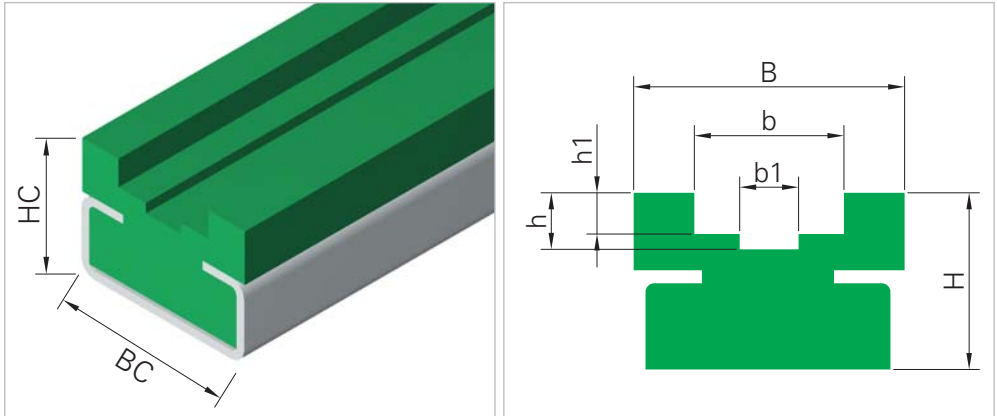
Type	Chain	Ref. ISO	Metallic profile	BC [mm]	HC [mm]	B [mm]	H [mm]	b [mm]	b1 [mm]	h [mm]	h1 [mm]	P [mm]
E2C-01	3/8" x 7/32"	06-B2	C-5	28	22	36	18	5.4	26	1.5	4.4	15.8
E2C-05	1/2" x 5/16"	08-B2	C-9	38	33	45	25	7.4	35	2.2	7.2	21.4
E2C-06	5/8" x 3/8"	10-B2	C-9	38	37	50	30	9.2	40	2.6	9.5	25.8
E2C-07	3/4" x 7/16"	12-B2	C-9	38	38.5	56	35	11.3	46	2.4	11.1	30.8
E2C-10	1" x 17mm	16-B2	C-9	38	43.5	85	40	16.5	75	3.5	16.5	48.4

U guides for vertical roller chains



Type	Chain	Ref. ISO	B [mm]	H [mm]	b [mm]	b1 [mm]	h [mm]	h1 [mm]
U-01	13/8" x 7/32"	06-B1	20	15	9.2	4	4.2	2.8
U-02	1/2" x 5/16"	08-B1	25	15	12.7	5	4.8	3.5
U-03	5/8" x 3/8"	10-B1	25	15	15.2	6	5.1	3.6
U-04	3/4" x 7/16"	12-B1	25	20	16.7	7	5.7	3.9
U-05	1" x 17mm	16-B1	35	25	24.4	9	10	8.4

UC guides for metallic profile for vertical roller chains

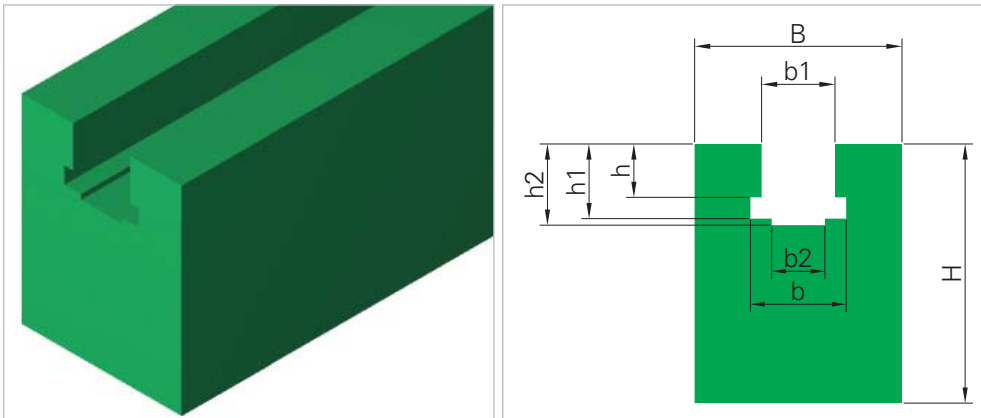


Type	Chain	Ref. ISO	Met. profile	BC [mm]	HC [mm]	B [mm]	H [mm]	b [mm]	b1 [mm]	h [mm]	h1 [mm]
UC-32	1/2" x 5/16"	08-B1	C-3	20	18	20	15	12.7	5	4.8	3.5
UC-33	5/8" x 3/8"	10-B1	C-3	20	18	23	15	15.2	6	5.1	3.6
UC-34	3/4" x 7/16"	12-B1	C-3	20	23	23	20	16.7	7	5.7	3.9
UC-35	1" x 17mm	16-B1	C-5	28	28	32	25	24.4	8	10	8.4

Standard PE	Color
UHR	Green 

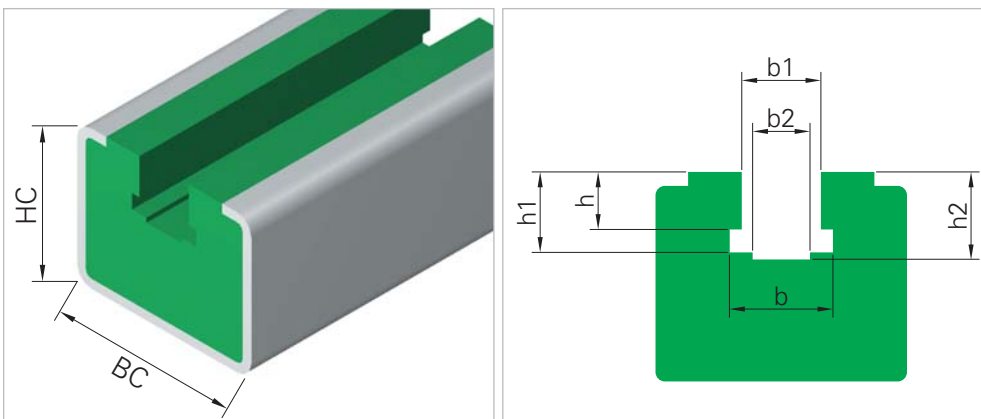
- Metallic profile is not included, it must be ordered separately. See "Steel profiles" and "Accessories"

BL guides for vertical single roller chains



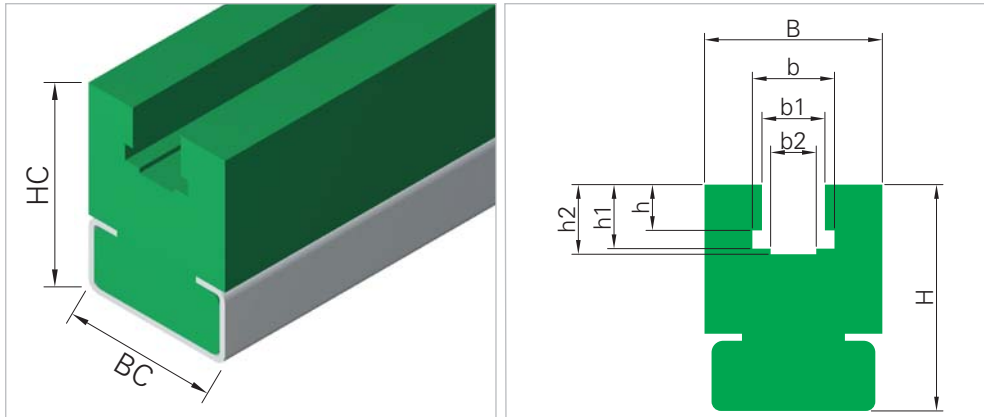
Type	Chain	Ref. ISO	B [mm]	H [mm]	b [mm]	b1 [mm]	b2 [mm]	h [mm]	h1 [mm]	h2 [mm]
BL-01	3/8" x 7/32"	06-B1	20	25	9.3	6.6	4	5.6	8.7	10
BL-05	1/2" x 5/16"	08-B1	24	30	12.8	8.7	5	7.6	11.5	13.5
BL-09	5/8" x 3/8"	10-B1	30	35	15.4	10.4	6	9.5	13.5	14.8
BL-15	3/4" x 7/16"	12-B1	40	35	16.9	12.3	7	11.5	15.9	17.5
BL-18	1" x 17mm	16-B1	40	45	24.4	16.1	9	16.1	25.7	26.8
BL-21	1 1/4" x 3/4"	20-B1	50	50	27.5	19.3	11	19.4	29.3	31.2
BL-24	1 1/2" x 1"	24-B1	60	60	36.5	25.7	16	25.2	38.2	40.1
BL-25	1 3/4" x 31mm	28-B1	60	70	41.5	28.3	17	30.8	46.9	48.9
BL-30	2" x 31mm	32-B1	70	75	44.5	29.6	19	30.8	47.3	53

BLC guides for metallic profile for vertical single roller chains



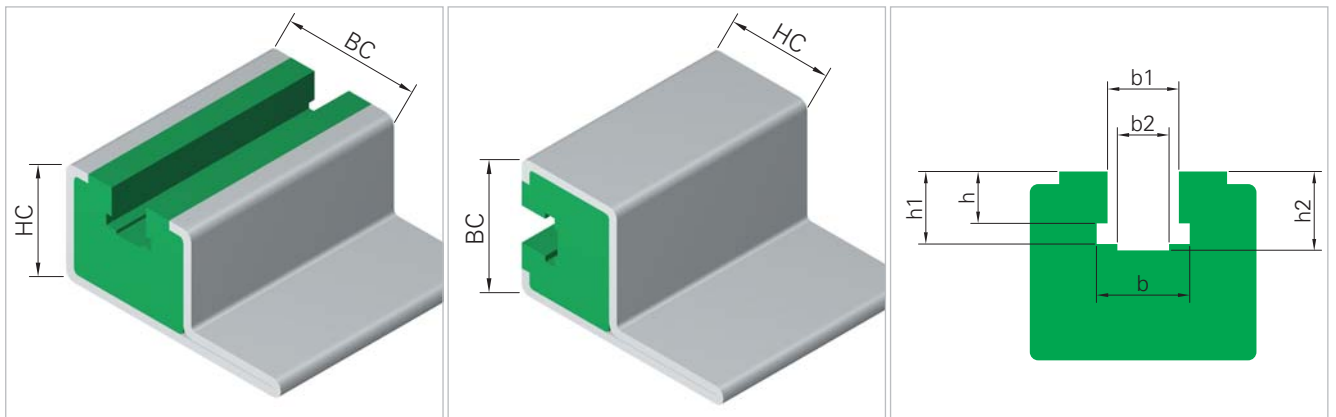
Type	Chain	Ref. ISO	Metallic profile	BC [mm]	HC [mm]	b [mm]	b1 [mm]	b2 [mm]	h [mm]	h1 [mm]	h2 [mm]
BLC-01	3/8" x 7/32"	06-B1	C-10	30	24	9.3	6.6	4	5.6	8.7	10
BLC-05	1/2" x 5/16"	08-B1	C-10	30	24	12.8	8.7	5	7.6	11.5	13.5
BLC-09	5/8" x 3/8"	10-B1	C-10	30	24	15.4	10.4	6	9.5	13.5	14.8
BLC-15	3/4" x 7/16"	12-B1	C-10	30	24	16.9	12.3	7	11.5	15.9	17.5
BLC-18	1" x 17mm	16-B1	C-11	45	40	24.4	16.1	9	16.1	25.7	26.8
BLC-21	1 1/4" x 3/4"	20-B1	C-11	45	40	27.5	19.3	11	19.5	29.3	31.2

KC guides for metallic profile for vertical single roller chains



Type	Chain	Ref. ISO	Metallic profile	BC [mm]	HC [mm]	B [mm]	H [mm]	b [mm]	b1 [mm]	b2 [mm]	h [mm]	h1 [mm]	h2 [mm]
KC-01	3/8" x 7/32"	06-B1	C-3	20	21	20	17.5	9.3	6.6	4	5.6	8.7	10
KC-02	1/2" x 5/16"	08-B1	C-5	28	32	24	27.5	12.8	8.7	5	7.6	11.5	13.5
KC-03	5/8" x 3/8"	10-B1	C-5	28	32	24	27.5	15.4	10.4	6	9.5	13.5	14.8
KC-04	3/4" x 7/16"	12-B1	C-9	38	42	33	34	16.9	12.3	7	11.5	15.9	17.5
KC-05	1" x 17mm	16-B1	C-10	30	50	38	40	24.4	16.1	9	16.1	25.7	26.8

BKC guides for metallic profile for single roller chains

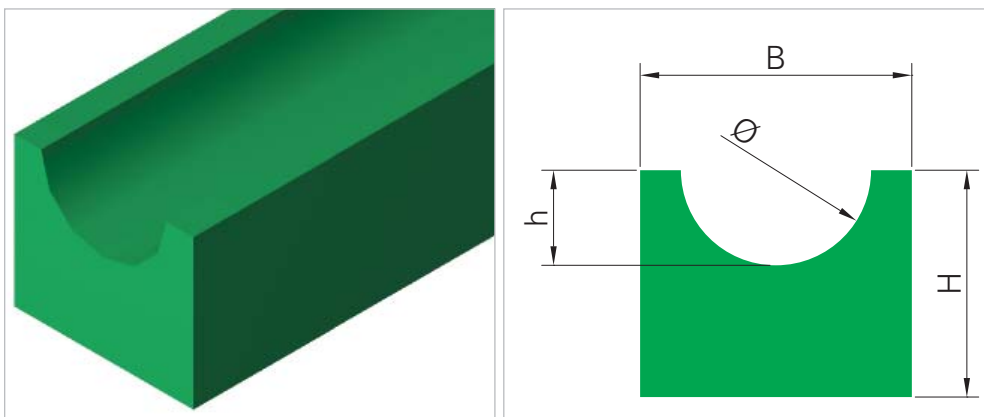


Type	Chain	Ref. ISO	Metallic profile	BC [mm]	HC [mm]	b [mm]	b1 [mm]	b2 [mm]	h [mm]	h1 [mm]	h2 [mm]
BKC-01	3/8" x 7/32"	06-B1	C-14/C-15	31	25	9.3	6.6	4	5.6	8.7	10
BKC-05	1/2" x 5/16"	08-B1	C-14/C-15	31	25	12.8	8.7	5	7.6	11.5	13.5
BKC-09	5/8" x 3/8"	10-B1	C-14/C-15	31	25	15.4	10.4	6	9.5	13.5	14.8
BKC-15	3/4" x 7/16"	12-B1	C-14/C-15	31	25	16.9	12.3	7	11.5	15.9	17.5

Standard PE	Color
UHR	Green 

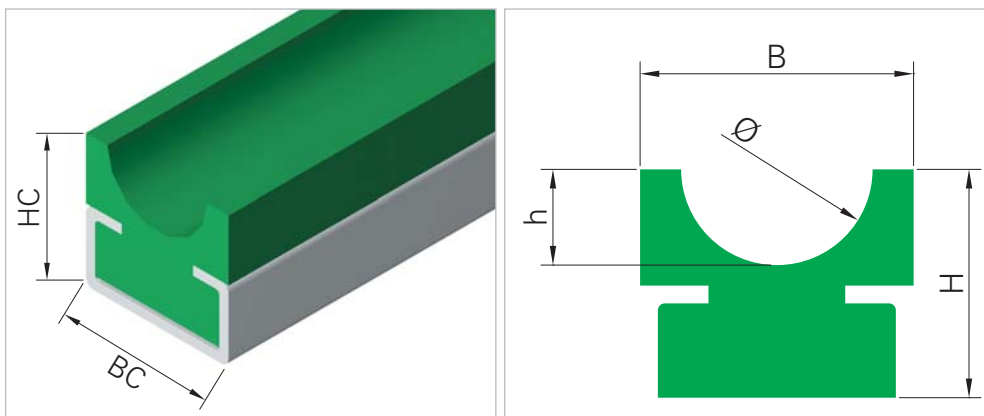
- Metallic profile is not included, it must be ordered separately. See "Steel profiles" and "Accessories"

R guides for round belts



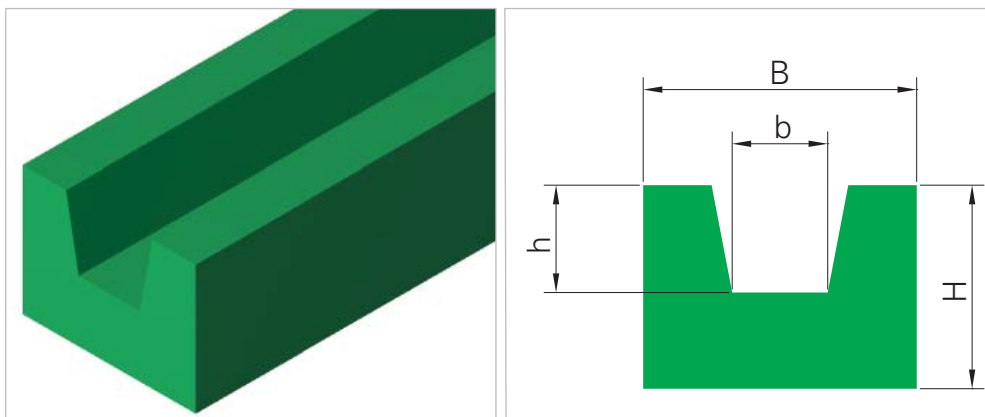
Type	Ø Round belt [mm]	B [mm]	H [mm]	h [mm]	Ø [mm]
R-01	4	15	10	2	4
R-03	5	15	10	2.5	5
R-05	6	20	10	3	6
R-07	8	20	10	4	8
R-09	10	25	12	5	10
R-11	12	25	12	6	12
R-13	15	25	15	7,5	15
R-15	20	30	20	10	20

RC guides for metallic profile for round belts



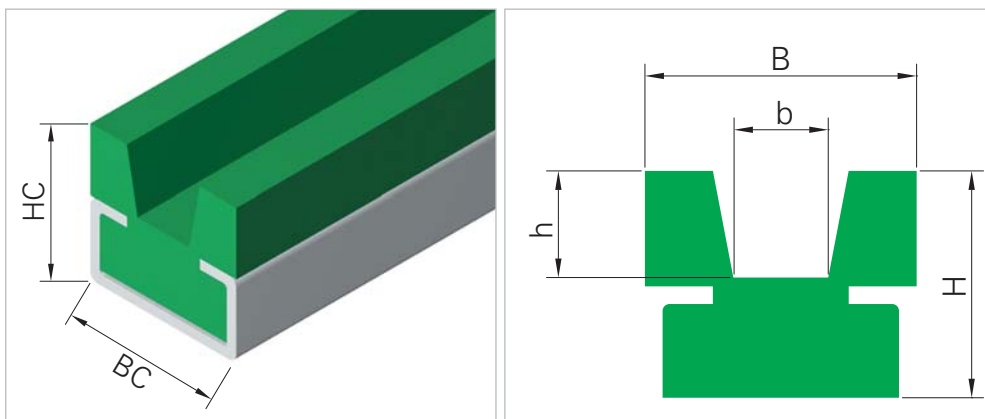
Type	Metallic profile	Ø Round belt [mm]	BC [mm]	HC [mm]	B [mm]	H [mm]	h [mm]	Ø [mm]
RC-02	C-3	4	20	14	20	10	2	4
RC-04	C-3	5	20	14	20	10	2.5	5
RC-06	C-3	6	20	14	20	10	3	6
RC-08	C-3	8	20	14	20	10	4	8
RC-10	C-5	10	28	18	25	15	5	10
RC-12	C-5	12	28	18	25	15	6	12
RC-14	C-5	15	28	20	25	15	7,5	15
RC-16	C-5	20	28	24	28	20	10	20

V guides for V-belts



Type	V-Belt section	V-Belt width [mm]	B [mm]	H [mm]	b [mm]	h [mm]
V-01	Z	10	20	10	6.5	3
V-03	A	13	20	12	8	5
V-05	SPB	15	25	12	9.5	5
V-07	B	17	30	15	10.5	8
V-09	C	22	35	20	13.5	11
V-11	D	30	40	25	19	13

VC guides for metallic profile for V-belts

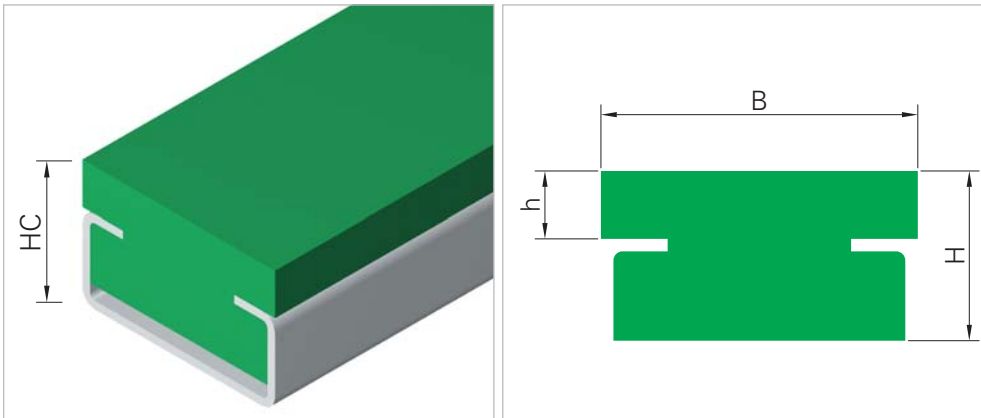


Type	Metallic profile	V-Belt section	V-Belt width [mm]	BC [mm]	HC [mm]	B [mm]	H [mm]	b [mm]	h [mm]
VC-02	C-3	Z	10	20	17	20	15	6.5	3
VC-04	C-3	A	13	20	17	20	15	8	5
VC-06	C-5	SPB	15	28	24	25	20	9.5	5
VC-08	C-5	B	17	28	24	30	20	10.5	8
VC-10	C-9	C	22	38	32	35	25	13.5	11
VC-12	C-9	D	30	38	35	40	25	19	13

Standard PE	Color
UHR	Green 

- Metallic profile is not included, it must be ordered separately. See "Steel profiles" and "Accessories"

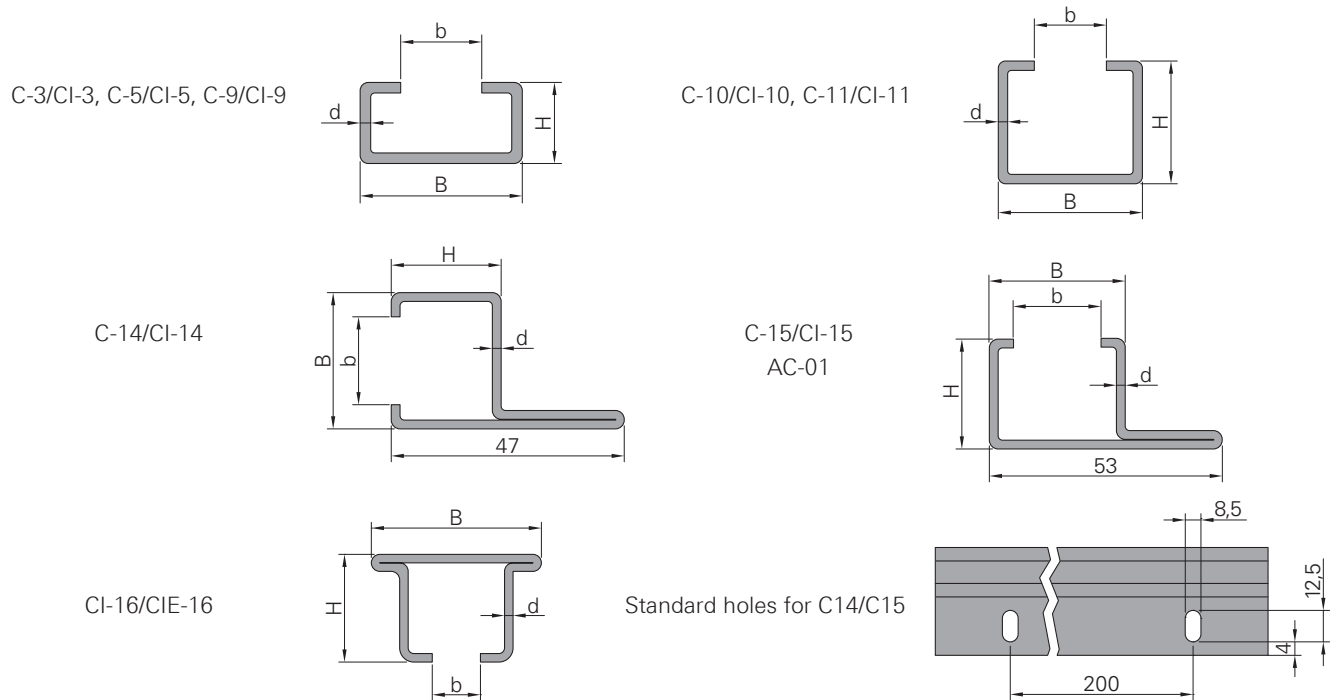
PC slide rails for metallic profile



Type	Metallic profile	HC [mm]	B [mm]	H [mm]	h [mm]
PC-01	C-3	14	20	10	4
PC-02	C-3	17	20	15	7
PC-03	C-3	22	20	20	12
PC-04	C-5	15	28	10	3
PC-05	C-5	18	28	15	6
PC-06	C-5	24	28	20	12
PC-07	C-9	21	38	10	3
PC-08	C-9	24	38	15	6
PC-09	C-9	30	38	20	12

Standard PE	Color
UHR	Green

- Metallic profile is not included, it must be ordered separately. See "Steel profiles" and "Accessories"



Type	Material	Weight [kg/m]	B [mm]	H [mm]	b [mm]	d [mm]
C-3	Galvanized Steel	0.43	20	10	10	1.5
C-5	Galvanized Steel	0.85	28	12	14	1.5
C-9	Galvanized Steel	0.98	38	18	22	1.5
C-10	Galvanized Steel	0.94	30	24	20	1.5
C-11	Galvanized Steel	2.05	45	40	31	1.5
C-14	Galvanized Steel	1.2	31	25	20	2
C-15	Galvanized Steel	1.2	31	25	20	2

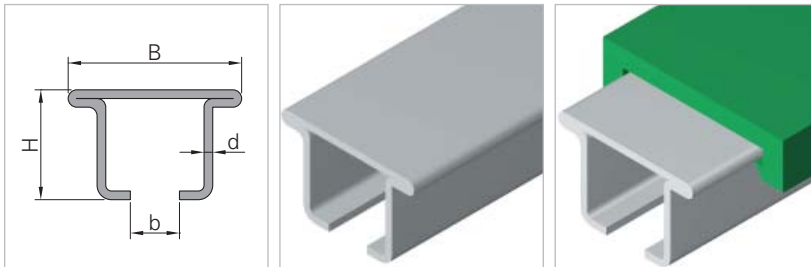
Type	Material [Aisi 304]	Weight [kg/m]	B [mm]	H [mm]	b [mm]	d [mm]
CI-3	Stainless steel	0.43	20	10	10	1.5
CI-5	Stainless steel	0.85	28	12	14	1.5
CI-9	Stainless steel	0.98	38	18	22	1.5
CI-10	Stainless steel	0.94	30	24	20	1.5
CI-11	Stainless steel	2.05	45	40	31	1.5
CI-14	Stainless steel	1.2	31	25	20	2
CI-15	Stainless steel	1.2	31	25	20	2
CI-16	Stainless steel	0.9	29.8	19	8.8	1.5

Type	Material [Aisi 430]	Weight [kg/m]	B [mm]	H [mm]	b [mm]	d [mm]
CI-16	Stainless steel	0.9	29.8	19	8.8	1.5

Type	Material	Weight [kg/m]	B [mm]	H [mm]	b [mm]	d [mm]
AC-01	Aluminium alloy	0.83	31	25	20	2.5

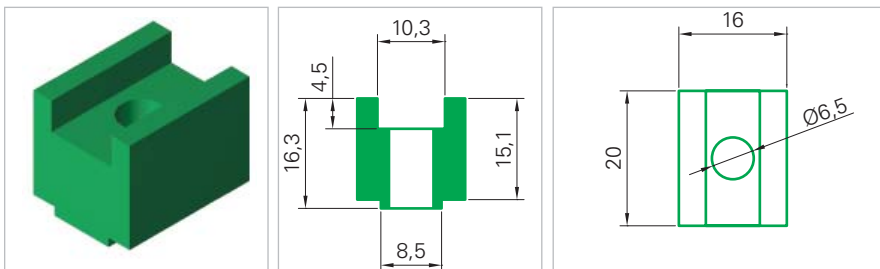
- Standard lengths are 3 and 6 m

CI-16/CIE-16 metallic profiles



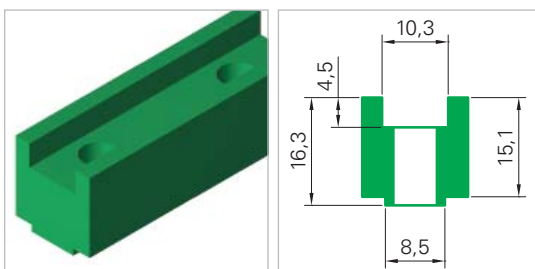
Type	Material	Weight [kg/m]	B [mm]	H [mm]	b [mm]	d [mm]
CI-16	Inox 304	0.9	29.8	19	8.8	1.5
CIE-16	Inox 430	0.9	29.8	19	8.8	1.5

FC-20 fixing clamps for CI-16/CIE-16 metallic profiles

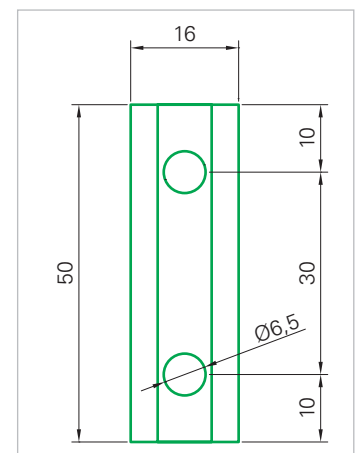


Type	Material	Color	N° of clamps per box
FC-20	HabiPLAST®	Black/Green/White	200
FC-20	Habilon	Black/White	200
FC-20	Habitat	Black/White	200

FC-50 connecting element for CI-16/CIE-16 metallic profiles



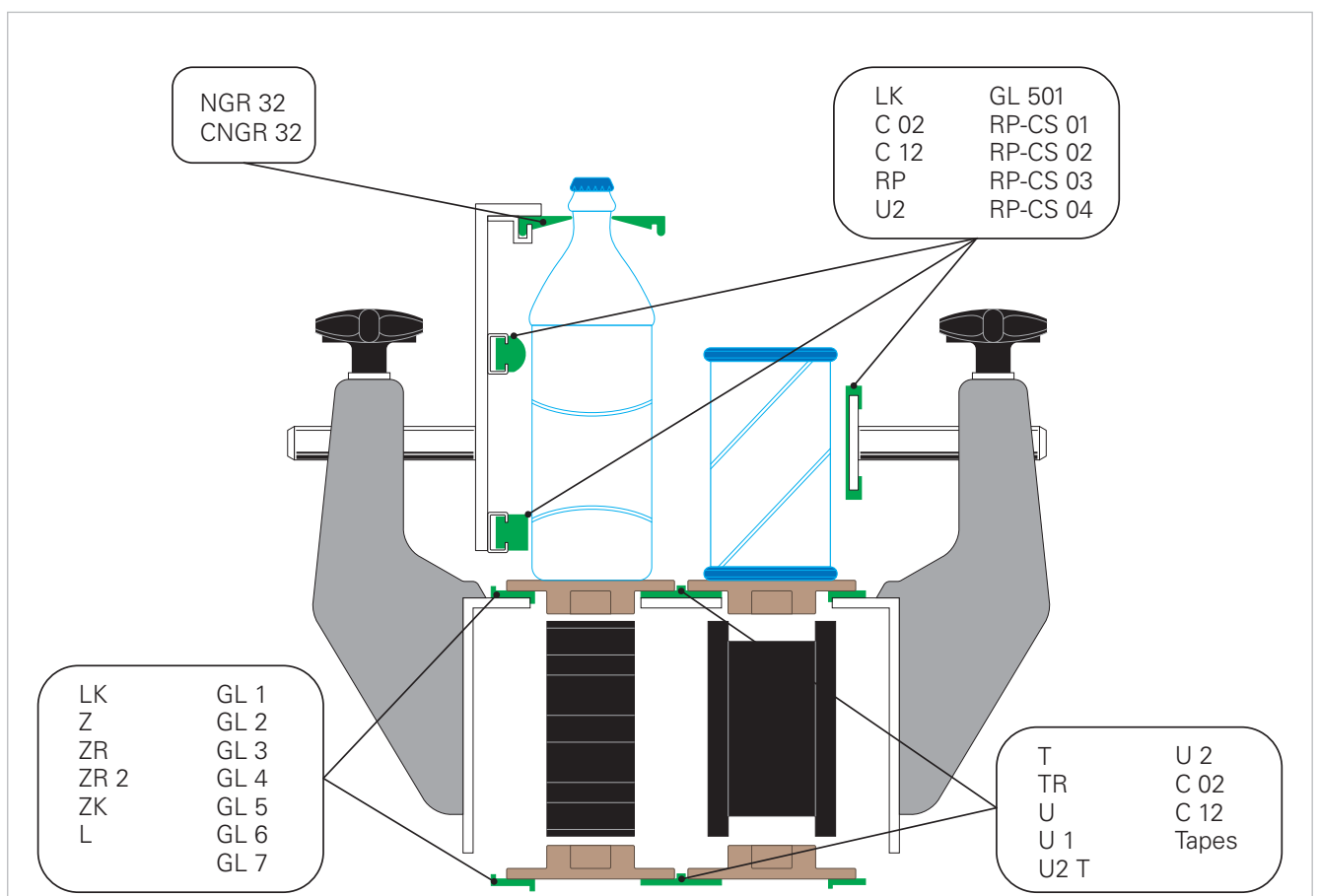
Type	Material	Color	N° of clamps per box
FC-50	HabiPLAST®	Black/Green/White	100
FC-50	Habilon	Black/White	100
FC-50	Habitat	Black/White	100



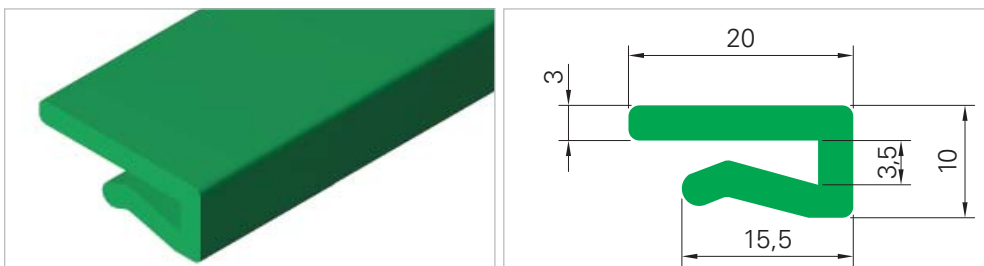
- Standard lengths for CI-16/CIE-16 metallic profiles are 3 and 6 m
- Screws not included. Specify the color and the material in the order

HabiPLAST® extruded profiles are the best complement for Habasit products as HabasitLINK® modular belts, HabaCHAIN® slat and conveyor chains and whenever you need:

- Great wear resistance
- Low coefficient of friction
- Low noise
- Good resistance against impacts also at low temperature
- High chemical resistance
- Easy and quick assembly
- Corrosion resistance

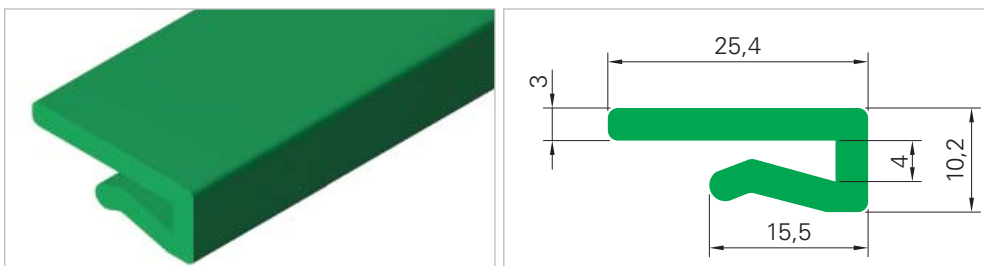


LK20 profile



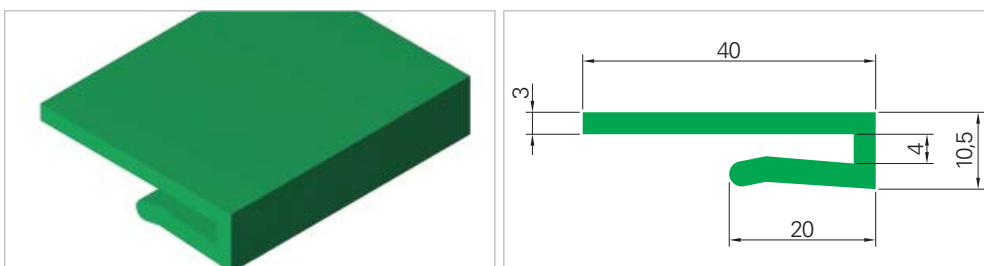
Type	Coil length [m]	Bar length [m]	Standard PE	Color
LK20	40	-	UHR	Black
			UHV	White
			UHV	Green
			UHV-TP	Cobalt blue

LK25 profile



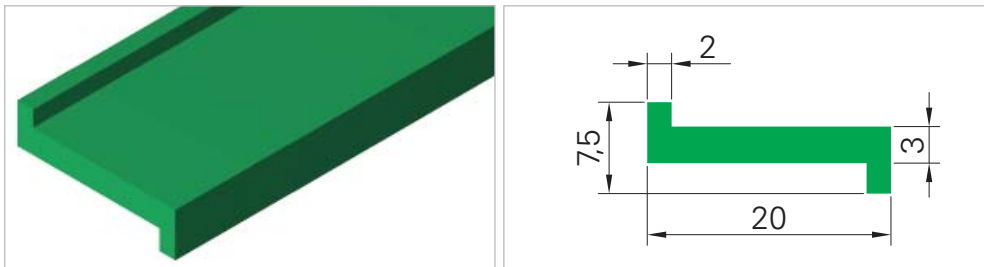
Type	Coil length [m]	Bar length [m]	Standard PE	Color
LK25	40	-	UHR	Black
			UHV	White
			UHV	Green
			UHV-TP	Cobalt blue

LK40 profile

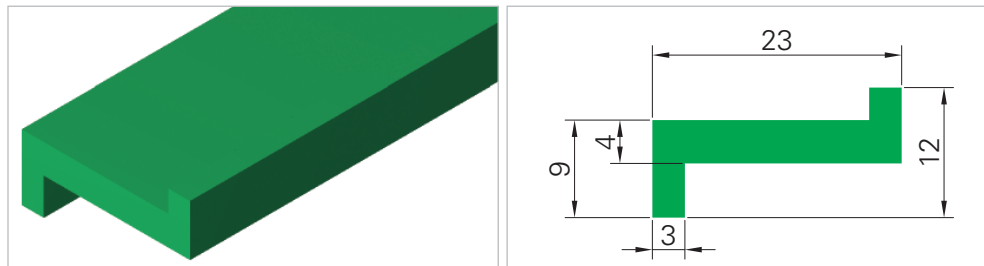


Type	Coil length [m]	Bar length [m]	Standard PE	Color
LK40	50	-	UHR	Black
			UHV	White
			UHV	Green
			UHV-TP	Cobalt blue

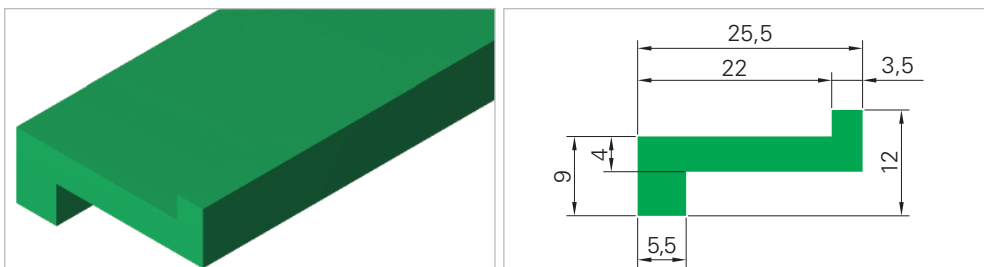
- Profile suitable for plates with thickness 2 or 3 mm

Z profile

Type	Coil length [m]	Bar length [m]	Standard PE	Color
Z	50	-	UHR	Black
			UHV	White
			UHV	Green

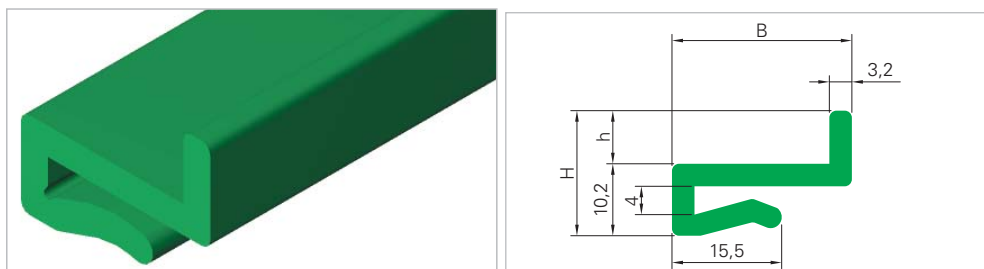
ZR profile

Type	Coil length [m]	Bar length [m]	Standard PE	Color
ZR	50	-	UHR	Black
			UHV	White
			UHV	Green
			UHV-TP	Cobalt blue

ZR2 profile

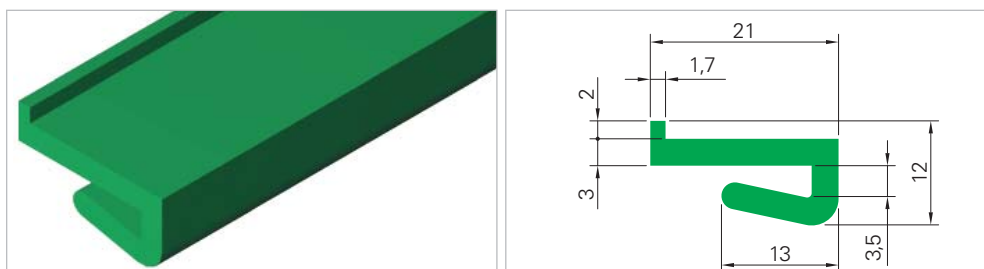
Type	Coil length [m]	Bar length [m]	Standard PE	Color
ZR2	50	3, 6	UHR	Black
			UHV	White
			UHV	Green
			UHV-TP	Cobalt blue

ZK (D, E, F, G, H, J) profiles



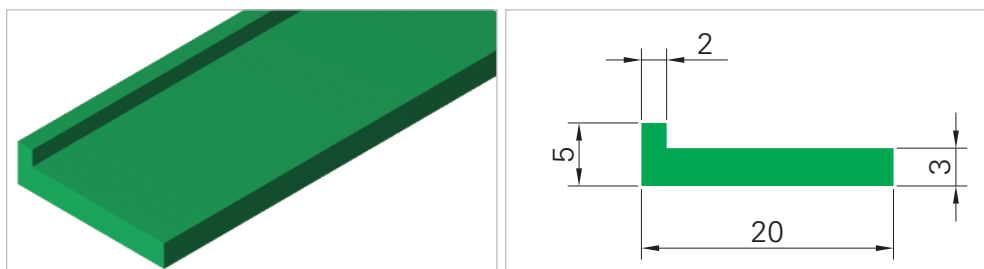
Type	Coil length [m]	Bar length [m]	B [mm]	H [mm]	h [mm]	Standard PE	Color
ZK-D	40	-	25.4	13.4	3.2	UHR	Black
ZK-E	40	-	25.4	15	4.8	UHV	White
ZK-F	40	-	25.4	17.7	7.5	UHV	Green
ZK-G	40	-	25.4	19.7	9.5	UHV-TP	Cobalt blue
ZK-H	40	-	22.2	17.7	7.5		
ZK-J	40	-	22.2	19.7	9.5		

ZK profile



Type	Coil length [m]	Bar length [m]	Standard PE	Color
ZK	40	-	UHR	Black
			UHV	White
			UHV	Green
			UHV-TP	Cobalt blue

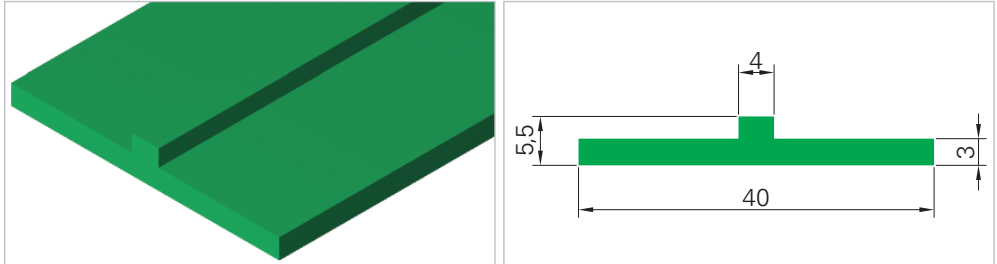
L profile



Type	Coil length [m]	Bar length [m]	Standard PE	Color
L	50	-	UHR	Black
			UHV	White
			UHV	Green

- Profile suitable for plates with thickness 2 or 3 mm

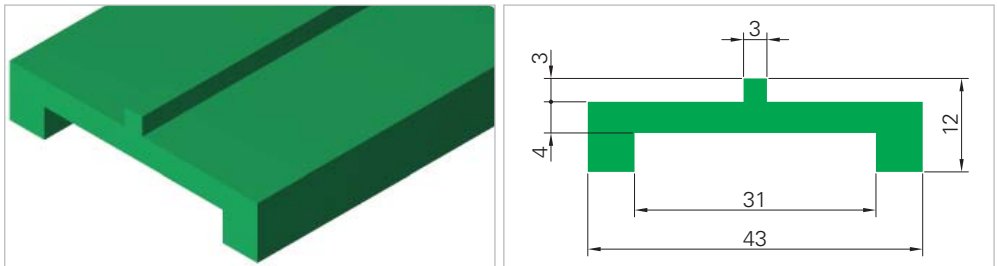
T profile



Type	Coil length [m]	Bar length [m]
T	50	1

Standard PE	Color
UHR	Black
UHV	White
UHV	Green

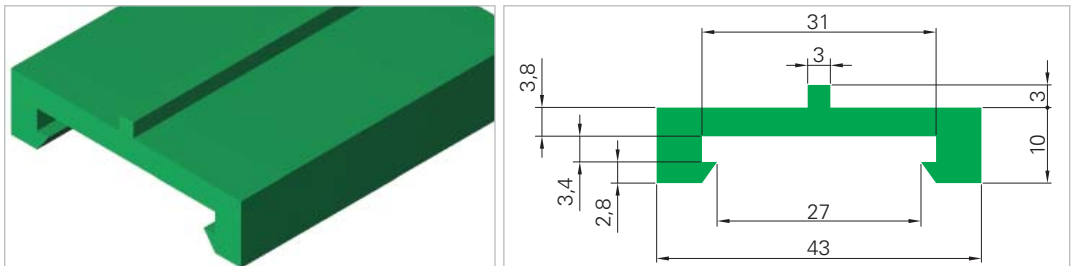
TR profile (for CI-16/CIE-16 metallic profiles)



Type	Coil length [m]	Bar length [m]
TR	50	3, 6

Standard PE	Color
UHR	Black
UHV	White
UHV	Green

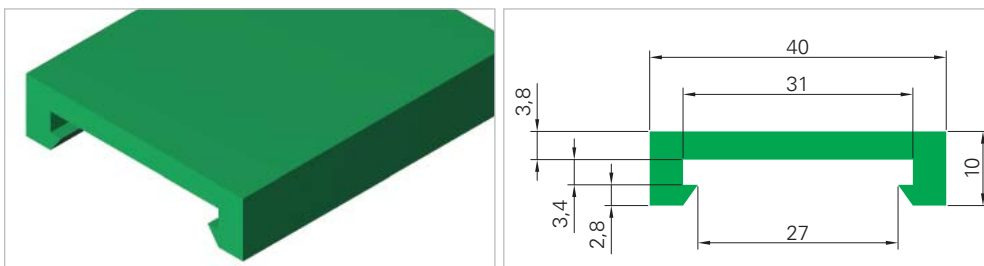
U2T profile (for CI-16/CIE-16 metallic profiles)



Type	Coil length [m]	Bar length [m]
U2T	-	3, 6

Standard PE	Color
UHR	Black
UHV	White
UHV	Green

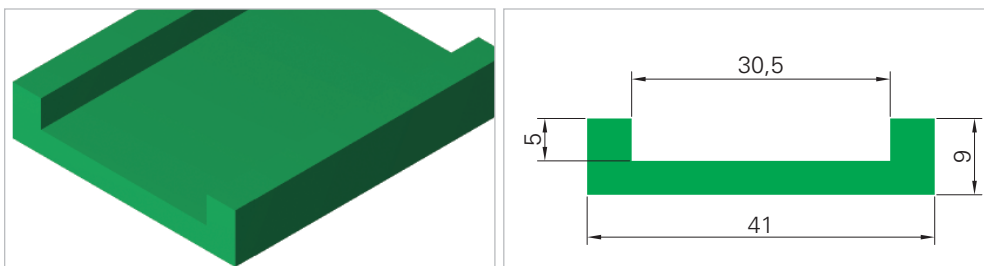
U2 profile (for CI-16/CIE-16 metallic profiles)



Type	Coil length [m]	Bar length [m]
U2	-	3,6

Standard PE	Color
UHR	Black
UHV	White
UHV	Green
UHV-TP	Cobalt blue

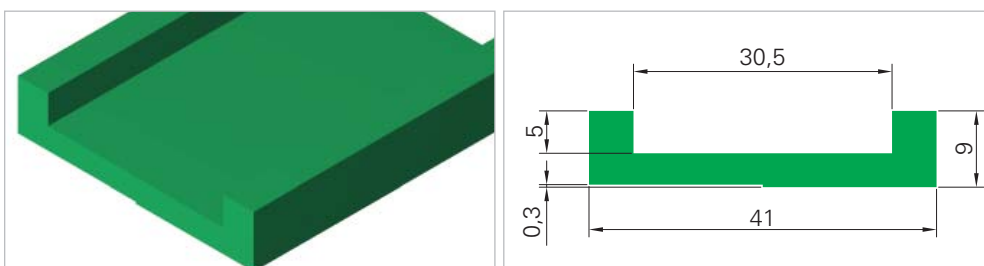
U profile (for CI-16/CIE-16 metallic profiles)



Type	Coil length [m]	Bar length [m]
U	50	3,6

Standard PE	Color
UHR	Black
UHV	White
UHV	Green
UHV-TP	Cobalt blue

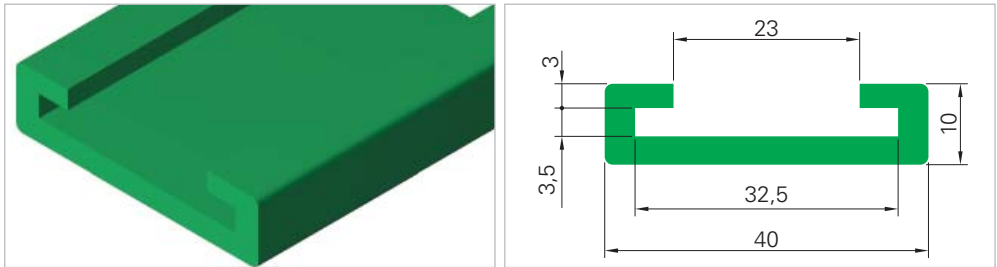
U1 profile (for CI-16/CIE-16 metallic profiles)



Type	Coil length [m]	Bar length [m]
U1	50	3,6

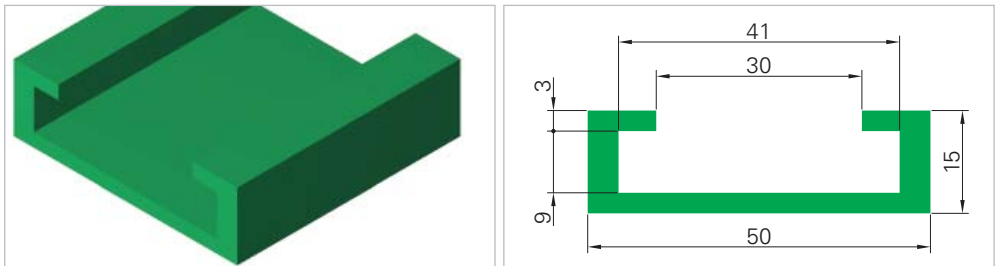
Standard PE	Color
UHR	Black
UHV	White
UHV	Green

C-02 profile (for CI-16/CIE-16 metallic profiles)



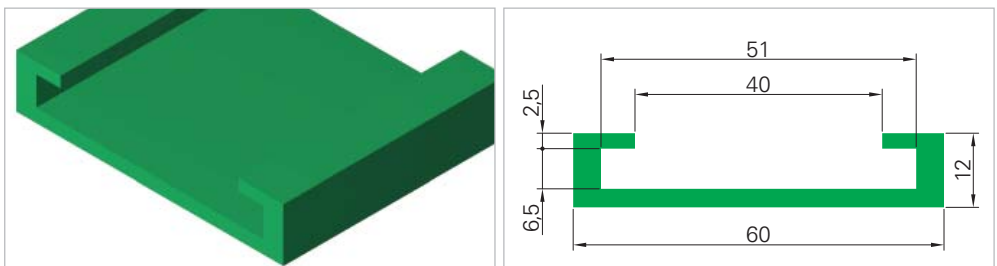
Type	Coil length [m]	Bar length [m]	Standard PE	Color
C-02	-	3, 6	UHR	Black
			UHV	White
			UHV	Green
			UHV-TP	Cobalt blue

C-05 profile (machined profile)



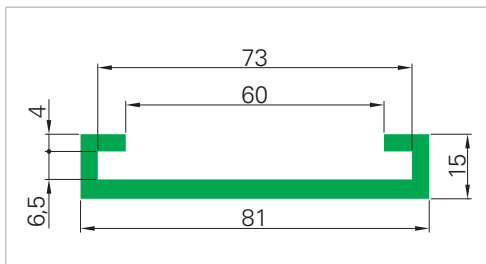
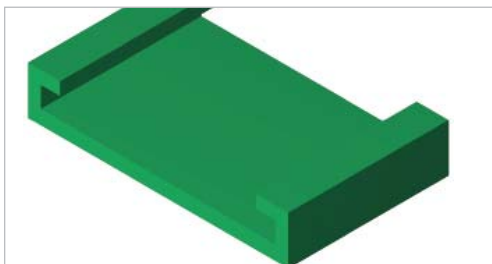
Type	Coil length [m]	Bar length [m]	Standard PE	Color
C-05	-	3	H/SA	White
			UHR	Black
			UHR	Green

C-07 profile (machined profile)



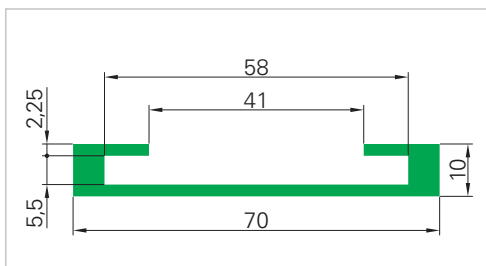
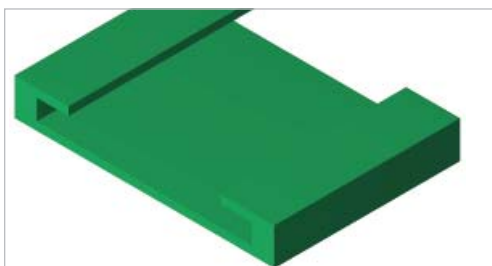
Type	Coil length [m]	Bar length [m]	Standard PE	Color
C-07	-	3	H/SA	White
			UHR	Black
			UHR	Green

C-09 profile (machined profile)



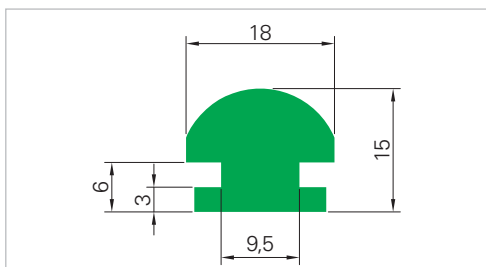
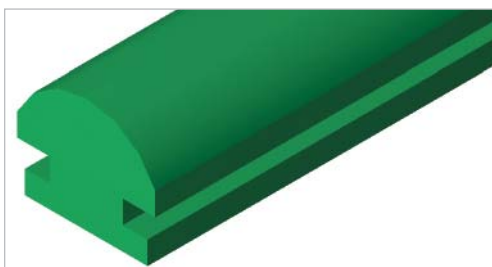
Type	Coil length [m]	Bar length [m]	Standard PE	Color
C-09	-	3	H/SA	White
			UHR	Black
			UHR	Green

C-12 profile



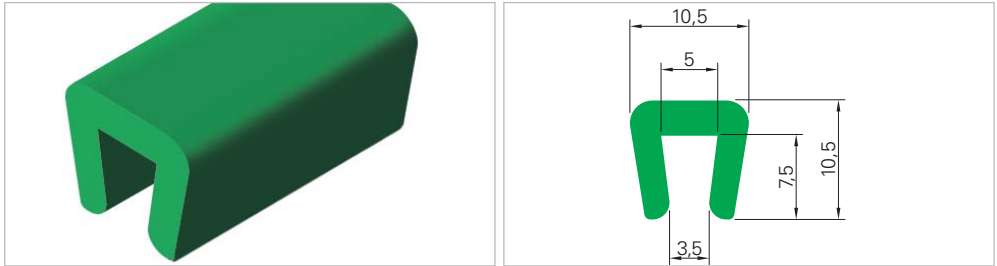
Type	Coil length [m]	Bar length [m]	Standard PE	Color
C-12	-	3, 6	UHR	Black
			UHV	White
			UHV	Green

RP profile (for C-3 metallic profile)



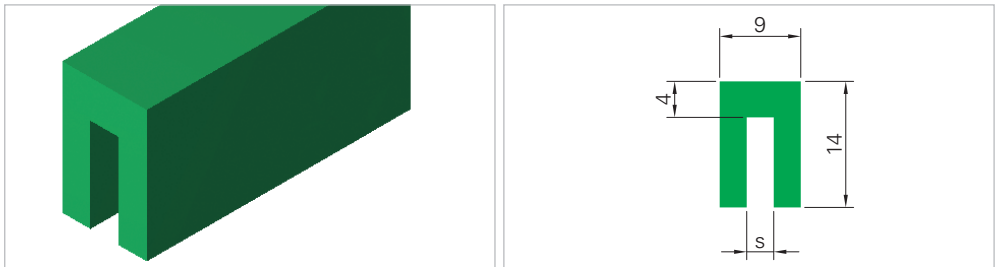
Type	Coil length [m]	Bar length [m]	Standard PE	Color
RP	-	3, 6	UHR	Black
			UHV	White
			UHV	Green

GL-1 profile



Type	Coil length [m]	Bar length [m]	Standard PE	Color
GL-1	50	3, 6	UHR	Black
			UHV	White
			UHV	Green
			UHV-TP	Cobalt blue

GL-2 profile



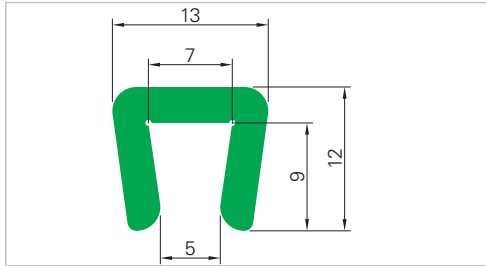
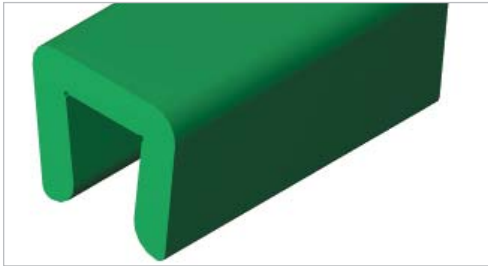
Type	Coil length [m]	Bar length [m]	S [mm]	Standard PE	Color
GL-2 A	50	3, 6	2.2	UHR	Black
GL-2	50	3, 6	3.2	UHV	White
				UHV	Green
GL-2 B	50	3, 6	4.2	UHV-TP	Cobalt blue

GL-3 profile



Type	Coil length [m]	Bar length [m]	Standard PE	Color
GL-3	50	3, 6	UHR	Black
			UHV	White
			UHV	Green

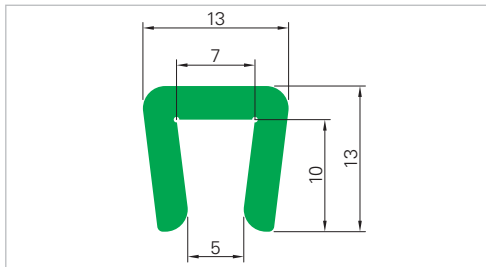
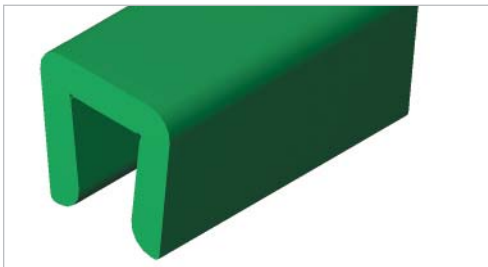
GL-6 profile



Type	Coil length [m]	Bar length [m]
GL-6	50	3, 6

Standard PE	Color
UHR	Black
UHV	White
UHV	Green
UHV-TP	Cobalt blue

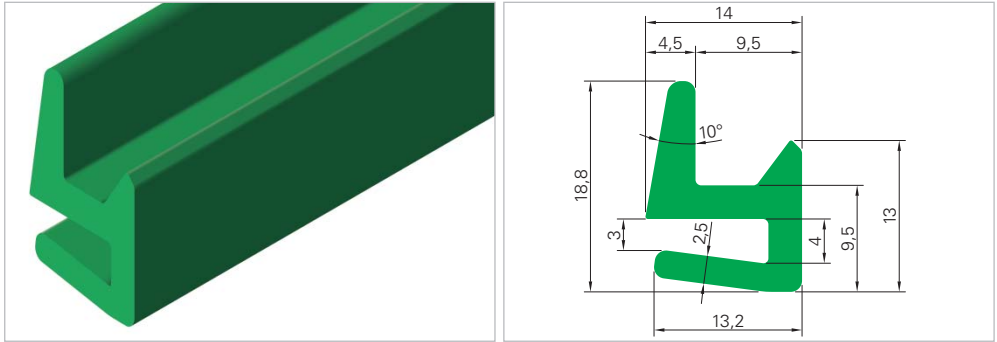
GL-7 profile



Type	Coil length [m]	Bar length [m]
GL-7	50	3, 6

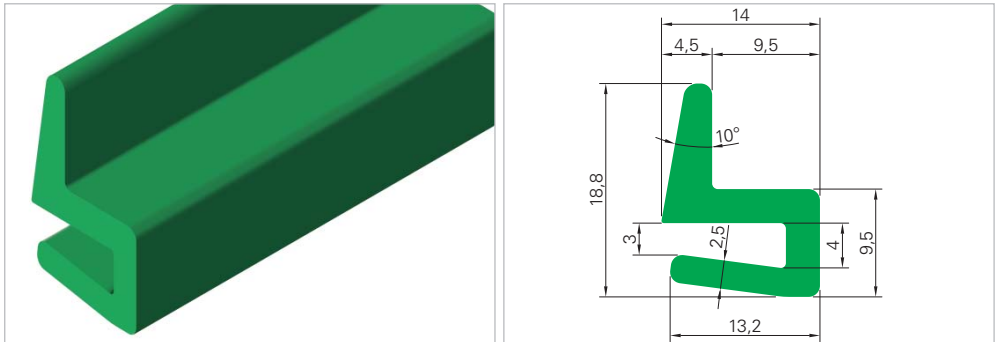
Standard PE	Color
UHR	Black
UHV	White
UHV	Green
UHV-TP	Cobalt blue

GL-4 profile



Type	Coil length [m]	Bar length [m]	Standard PE	Color
GL-4	-	3, 6	UHR	Black
			UHV	White
			UHV	Green

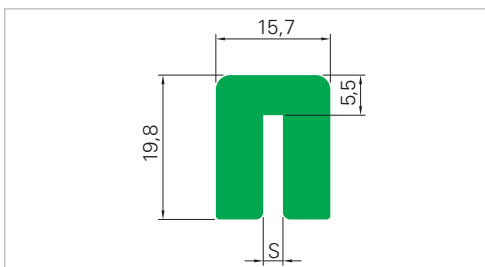
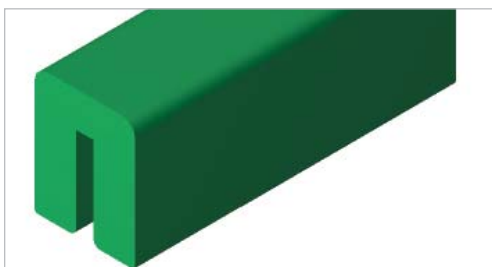
GL-5 profile



Type	Coil length [m]	Bar length [m]	Standard PE	Color
GL-5	-	3, 6	UHR	Black
			UHV	White
			UHV	Green

- Profile suitable for plates with thickness 3 or 4 mm

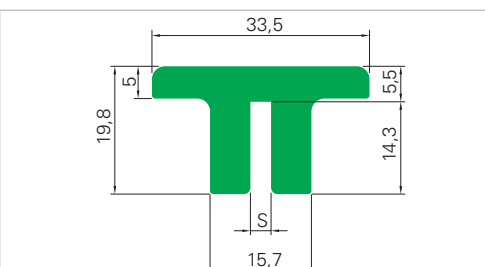
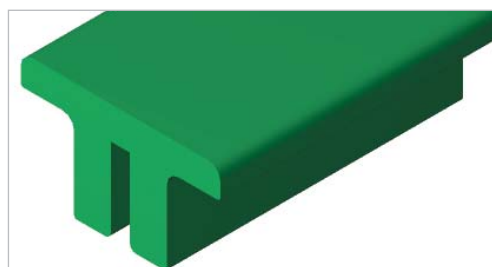
MB 01 profile



Type	Coil length [m]	Bar length [m]	s [mm]
MB 01-X	–	3,6	2.2
MB 01-A	–	3,6	2.7
MB 01-B	–	3,6	3.2
MB 01-C	–	3,6	4.5
MB 01-D	–	3,6	5.2

Standard PE	Color
UHR	Black
UHV	White
UHV	Green
UHV-TP	Cobalt blue

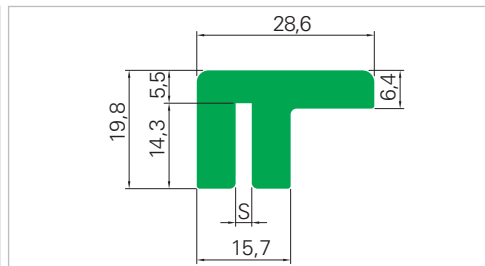
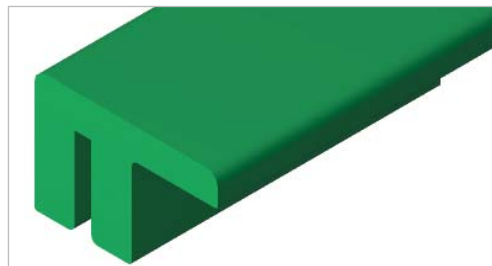
MB 01T profile



Type	Coil length [m]	Bar length [m]	s [mm]
MB 01T-X	–	3,6	2.2
MB 01T-A	–	3,6	2.7
MB 01T-B	–	3,6	3.2
MB 01T-C	–	3,6	4.5

Standard PE	Color
UHR	Black
UHV	White
UHV	Green
UHV-TP	Cobalt blue

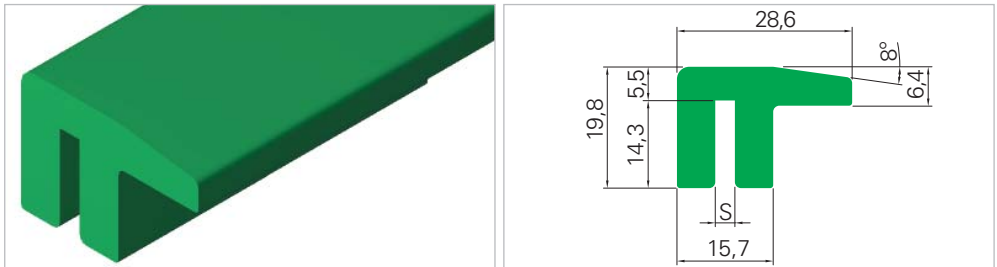
MB 02 profile



Type	Coil length [m]	Bar length [m]	s [mm]
MB 02-X	–	3,6	2.2
MB 02-A	–	3,6	2.7
MB 02-B	–	3,6	3.2
MB 02-C	–	3,6	4.5
MB 02-D	–	3,6	5.2

Standard PE	Color
UHR	Black
UHV	White
UHV	Green
UHV-TP	Cobalt blue

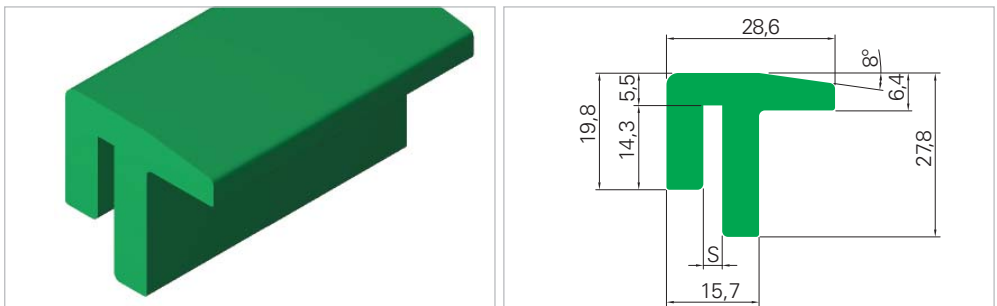
MB 02S profile



Type	Coil length [m]	Bar length [m]	s [mm]
MB 02S-X	-	3, 6	2.2
MB 02S-A	-	3, 6	2.7
MB 02S-B	-	3, 6	3.2
MB 02S-C	-	3, 6	4.5
MB 02S-D	-	3, 6	5.2

Standard PE	Color
UHR	Black
UHV	White
UHV	Green
UHV-TP	Cobalt blue

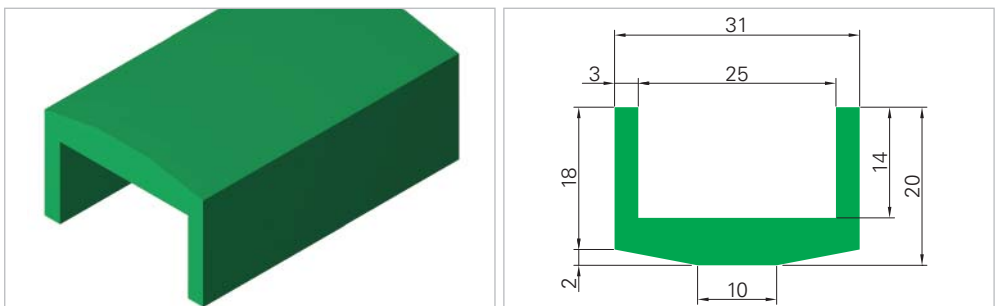
MB 02U profile



Type	Coil length [m]	Bar length [m]	s [mm]
MB 02U-X	-	3, 6	2.2
MB 02U-A	-	3, 6	2.7
MB 02U-B	-	3, 6	3.2
MB 02U-C	-	3, 6	4.5

Standard PE	Color
UHR	Black
UHV	White
UHV	Green
UHV-TP	Cobalt blue

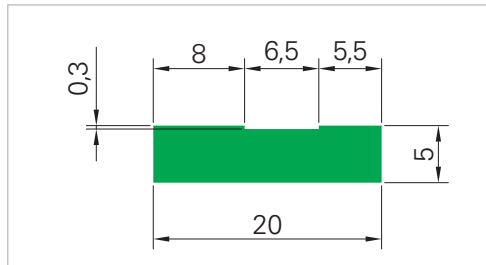
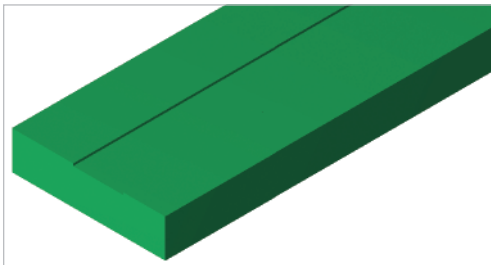
SP2 cage bars for spiral applications (machined profile)



Type	Coil length [m]	Bar length [m]
SP2	-	3, 6

Standard PE	Color
UHR	Black
UHR	Green
UHV	White

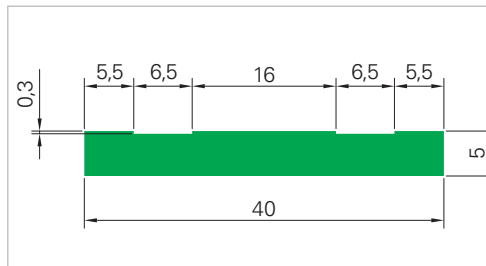
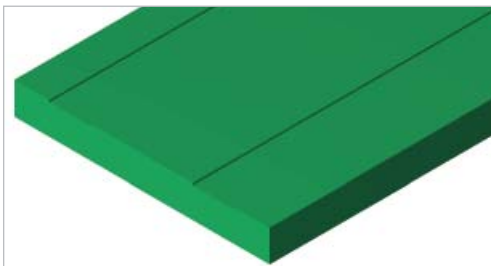
P20 profile



Type	Coil length [m]	Bar length [m]
P20	50	-

Standard PE	Color
UHR	Black
UHV	White
UHV	Green

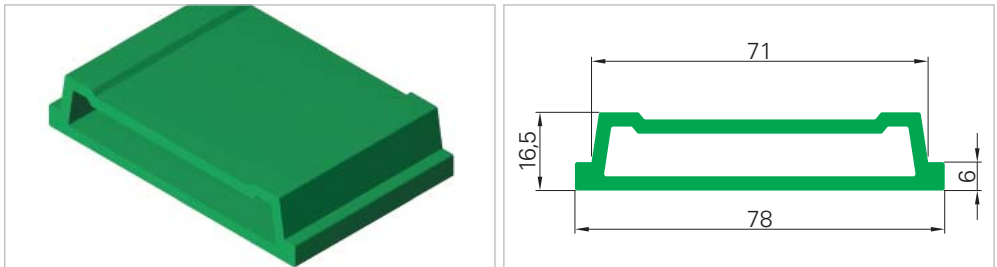
P40 profile



Type	Coil length [m]	Bar length [m]
P40	50	-

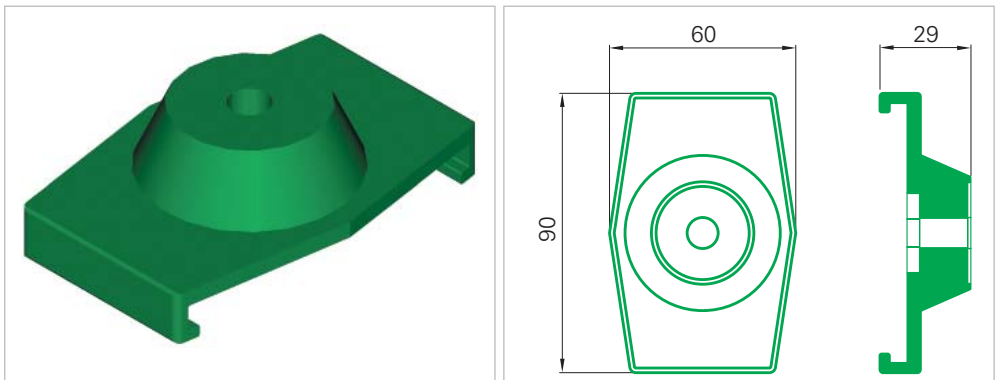
Standard PE	Color
UHR	Black
UHV	White
UHV	Green

GL-501 profile



Type	Coil length [m]	Bar length [m]	Standard PE	Color
GL-501	-	3, 6	H/SA	White
			H/SA	Black
			H/SA	Green

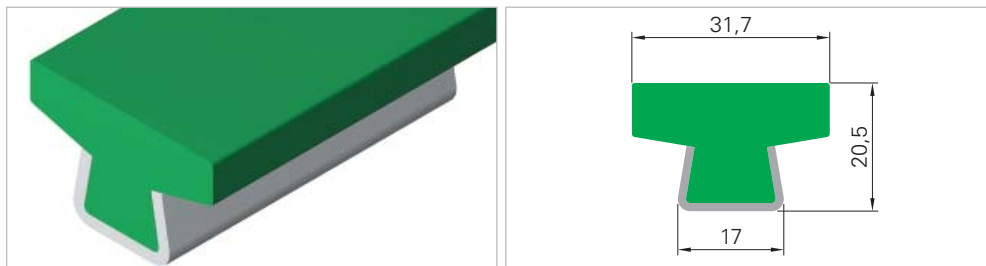
MGL-501 clamps (for GL-501 profiles)



Type	Color	N° clamps per box
MGL-501	Black	100

Type	Rod dimensions	N° rods per box
Rods for MGL-501	Ø 12 mm, length 100 mm	100
Rods for MGL-501	Ø 14 mm, length 100 mm	100
Rods for MGL-501	Ø 16 mm, length 100 mm	100

P.S. Material Rods = Stainless steel AiSi 304



MB T CI 317 M (stainless steel material: AISI 304)

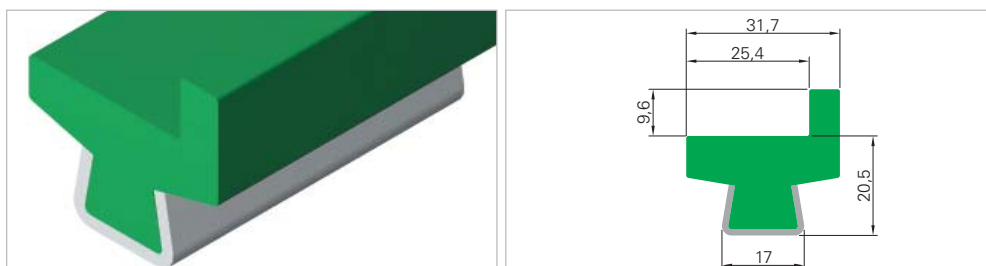
Type	Bar length [m]
MB T CI 317 M	3,6

Standard PE	Color
UHR	Black
UHV	White
UHV	Green

MB T CIE 317 M (stainless steel material: AISI 430)

Type	Bar length [m]
MB T CIE 317 M	3,6

Standard PE	Color
UHR	Black
UHV	White
UHV	Green



MB LT CI 317 M (stainless steel material: AISI 304)

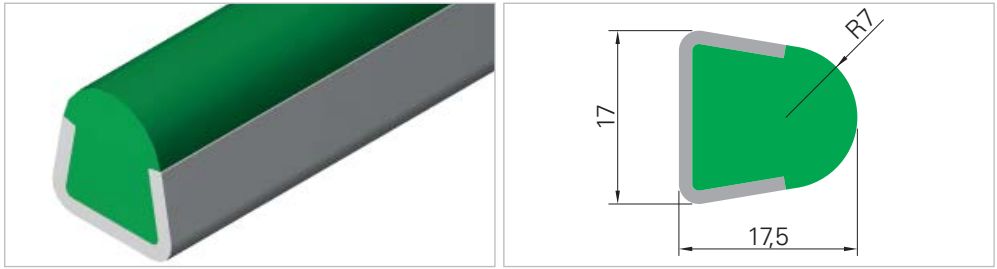
Type	Bar length [m]
MB LT CI 317 M	3,6

Standard PE	Color
UHR	Black
UHV	White
UHV	Green

MB LT CIE 317 M (stainless steel material: AISI 430)

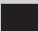


Type	Bar length [m]
MB LT CIE 317 M	3,6

Standard PE	Color
UHR	Black
UHV	White
UHV	Green



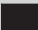


RP CI S 01 (stainless steel material: AISI 304)

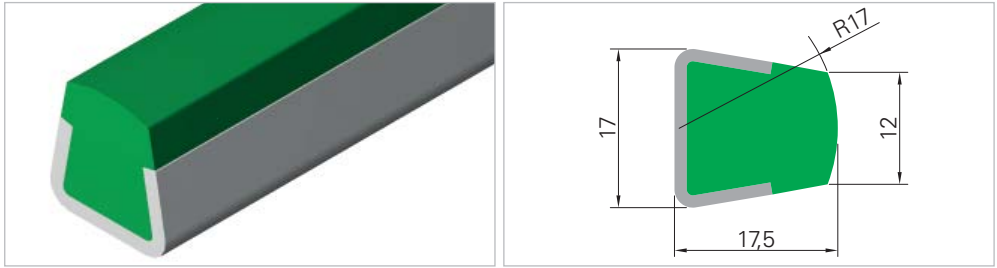
Type	Bar length [m]
RP CI S 01	3, 6

Standard PE	Color
UHR	Black 
UHV	White 
UHV	Green 

RP CIE S 01 (stainless steel material: AISI 430)

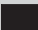


Type	Bar length [m]
RP CIE S 01	3, 6

Standard PE	Color
UHR	Black 
UHV	White 
UHV	Green 






RP CI S 02 (stainless steel material: AISI 304)

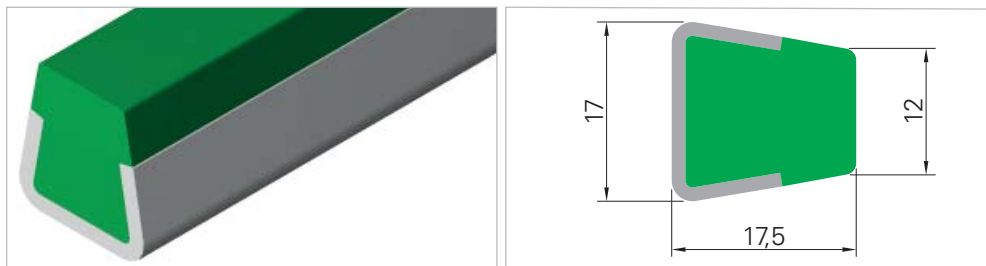
Type	Bar length [m]
RP CI S 02	3, 6

Standard PE	Color
UHR	Black 
UHV	White 
UHV	Green 

RP CIE S 02 (stainless steel material: AISI 430)

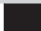


Type	Bar length [m]
RP CIE S 02	3, 6

Standard PE	Color
UHR	Black 
UHV	White 
UHV	Green 



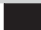


RP CI S 03 (stainless steel material: AISI 304)

Type	Bar length [m]
RP CI S 03	3,6

Standard PE	Color
UHR	Black 
UHV	White 
UHV	Green 

RP CIE S 03 (stainless steel material: AISI 430)

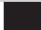


Type	Bar length [m]
RP CIE S 03	3,6

Standard PE	Color
UHR	Black 
UHV	White 
UHV	Green 






RP CI S 04 (stainless steel material: AISI 304)

Type	Bar length [m]
RP CI S 04	3,6

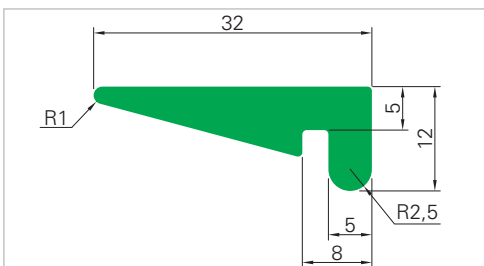
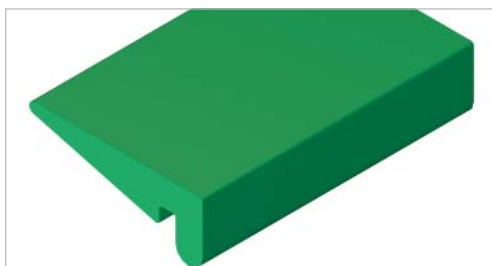
Standard PE	Color
UHR	Black 
UHV	White 
UHV	Green 

RP CIE S 04 (stainless steel material: AISI 430)

Type	Bar length [m]
RP CIE S 04	3,6

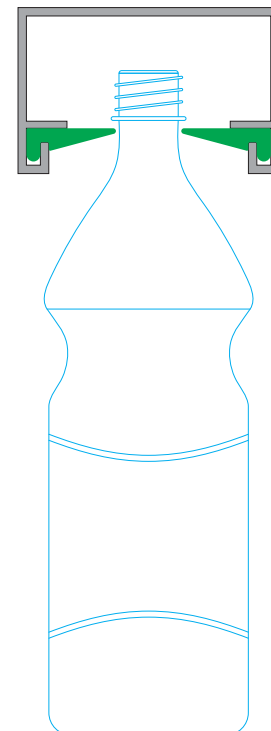
Standard PE	Color
UHR	Black 
UHV	White 
UHV	Green 

NGR E 32 straight neck profile (extruded profiles)

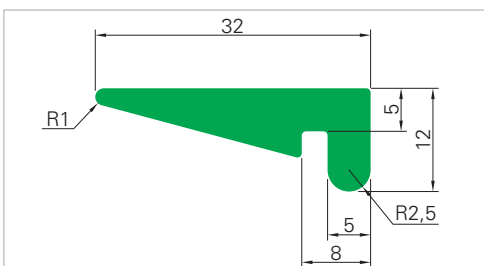
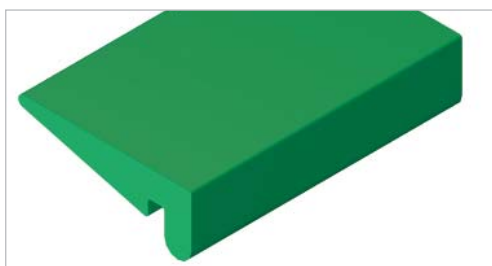


Type	Coil length [m]	Bar length [m]
NGR E 32	-	3, 6

Standard PE	Color
UHR	Black
UHV	White
UHV	Green

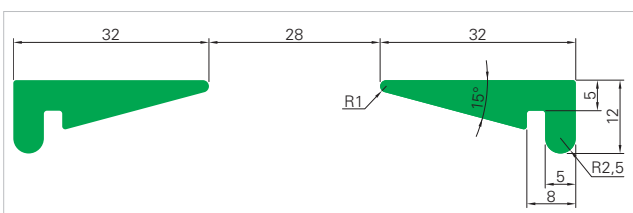
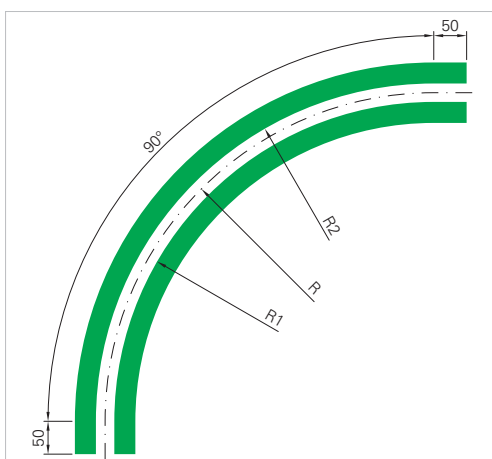


NGR 32 straight neck profile (machined profile)



Type	Color	Coil length [m]	Bar length [m]
NGR 32	Black	-	3

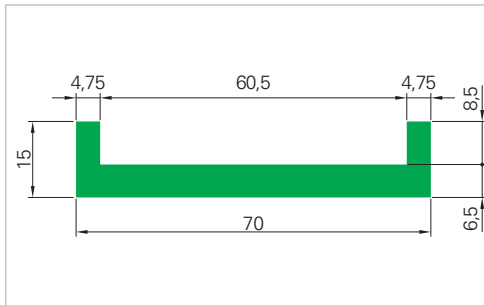
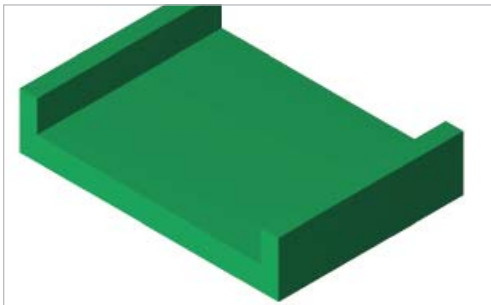
CNGR 32 corner neck profile (machined profile)



Type	Color	R [mm]	R1 [mm]	R2 [mm]
CNGR 32 0500	Black	500	486	514
CNGR 32 0750		750	736	764
CNGR 32 1000		1000	986	1014

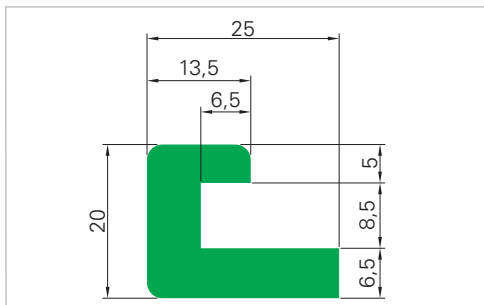
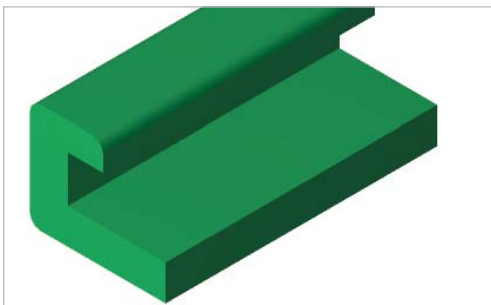
- Machined profiles = special black PE UHV-PT Molecular weight = 8.000.000

GC 01 for straight chain C3200 (machined profile)

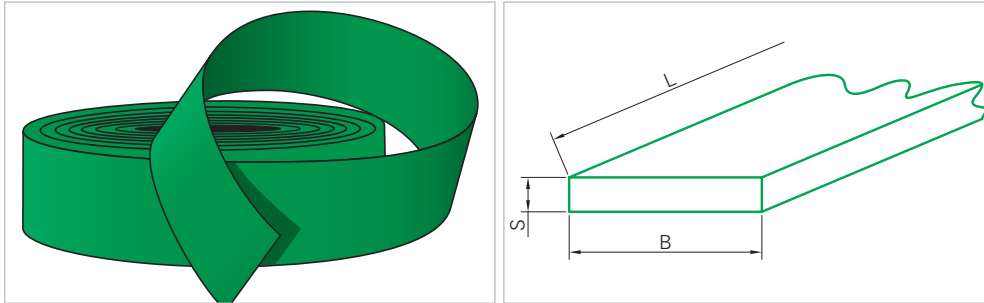


Type	Coil length [m]	Bar length [m]	Standard PE	Color
GC 01	-	3	H/SA	White
			UHR	Black
			UHR	Green

GC 02 for radius chain C3210 (machined profile)



Type	Coil length [m]	Bar length [m]	Standard PE	Color
GC 01	-	3	H/SA	White
			UHR	Black
			UHR	Green



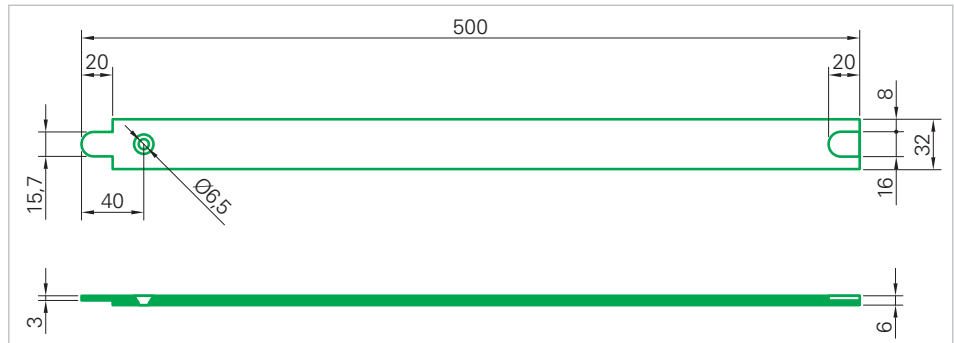
Thickness s [mm]	Coil length L [m]	Tape width B [mm]											
		10	20	25	30	35	40	45	50	60	70	80	100
2	50	●	●	●	●	●	●	●	●	●	●	●	●
3	50	●	●	●	●	●	●	●	●	●	●	●	●
4	50	●	●	●	●	●	●	●	●	●	●	●	●
5	25	●	●	●	●	●	●	●	●	●	●	●	●

PE tapes are also available:

- 280 mm width (thickness 2 mm)
- 260 mm width (thickness 3 mm)
- 240 mm width (thickness 4 mm)
- 220 mm width (thickness 5 mm)

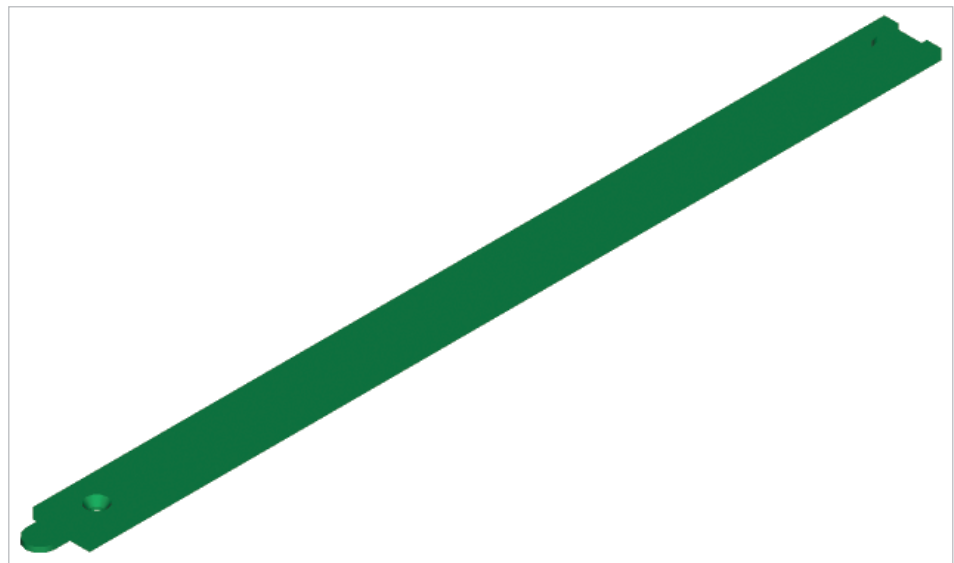
Color	
Black	■
White	■
Green	■

Molecular weight: PE = 500.000



Type	Material	Color	N° of wear strip per box [pcs]
WS 01 kit	HabiPLAST® – HEM	White	100
	Habilon – PA6		
	Habital – POM		

- WS 01 wear strips are supplied with DIN963 - M6x30 screws and screw nuts



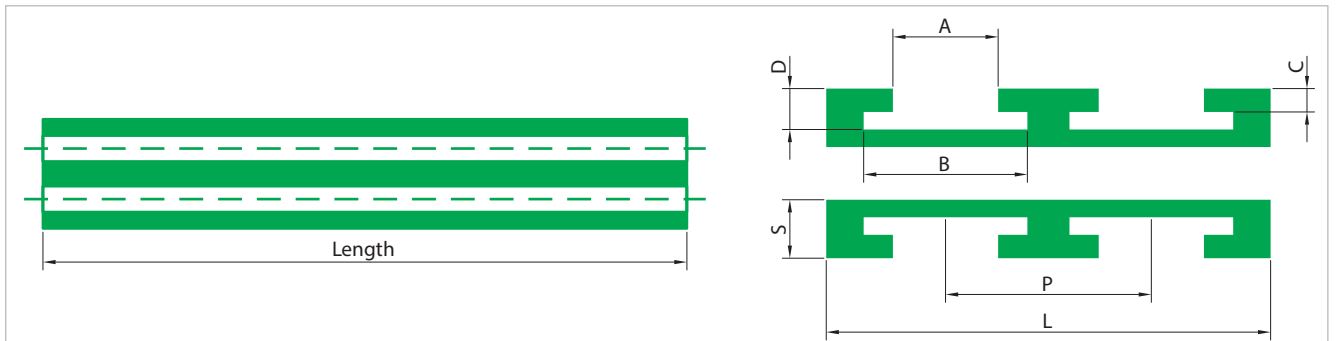
Type	Material	Color	N° per box [pcs]
Screw M6x30	Habilon	White	100
Screw nut M6x30	Habital	White	100

HabiPLAST® guides are used above all in bottling industry as complement of our extruded profiles. Habasit can realize curves by CNC, machining with angles and dimensions according to customer's specifications. Standard materials are UHR/Black or UHV-TP/Cobalt blue but other materials and colors are available.

The main advantages of HabiPLAST® guides are:

- Excellent sliding of the chain
- Great wear resistance
- Low noise
- Good resistance against chemicals
- Easy and quick assembly
- Lighter conveyor frame

Straight tracks

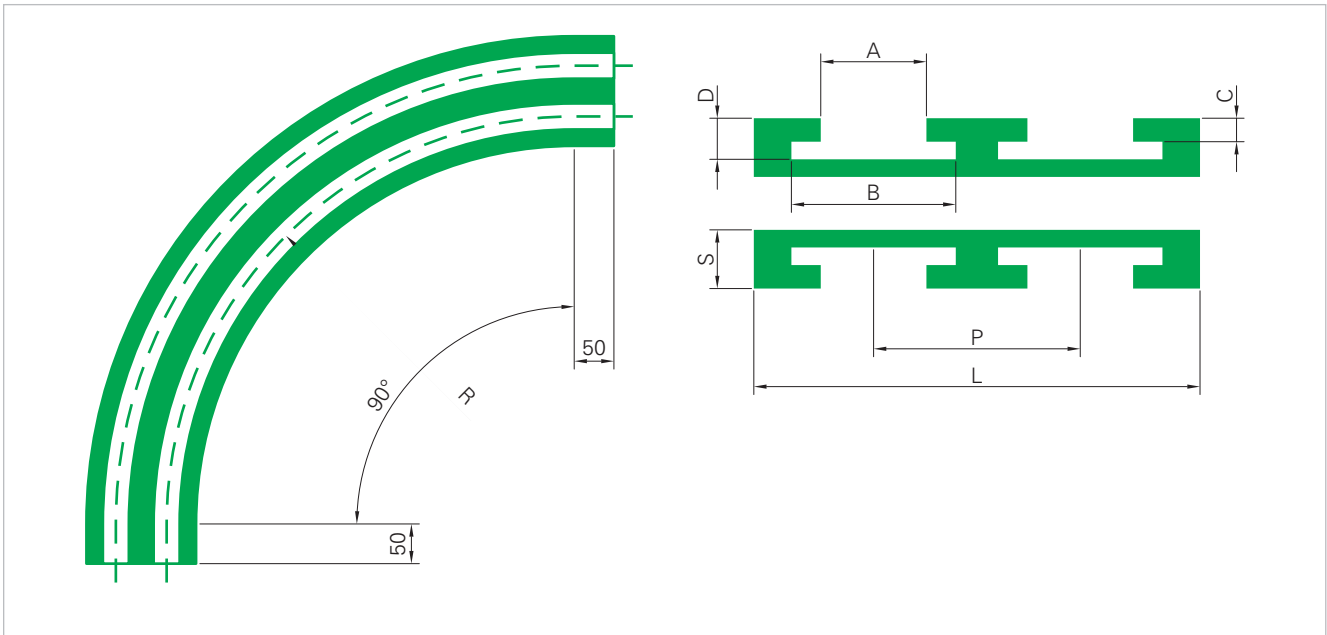


Type	L [mm]	N° ways	P [mm]	Length	A [mm]	B [mm]	C [mm]	D [mm]	S [mm]	Chain
ST880K325T1	100	1		2,000	45	70	10	17,5	25	879 TAB K325 880 TAB K325
ST880K325T2	190	2	88							
ST880K325T3	280	3	88							
ST880K450T1	130	1		2,000	45	70	10	17,5	25	879 TAB K450 880 TAB K450
ST880K450T2	250	2	120							
ST882K450T1	130	1		2,000	60	90	15	24	30	882 TAB K450
ST882K450T2	250	2	120							
ST882K750T1	200	1		2,000	60	90	15	24	30	882 TAB K750
ST882K750T2	396	2	196							
ST882K1000T1	270	1		2,000	60	90	15	24	30	882 TAB K1000
ST882K1000T2	530	2	260							
ST882K1200T1	320	1		2,000	60	90	15	24	30	882 TAB K1200
ST882K1200T2	630	2	310							

- Material: UHR/S = Polyethylene high molecular weight (1.000.000)
UHV-TP = Polyethylene ultra high molecular weight (4.000.000)

Color: Black
Color: Cobalt blue

Corner tracks



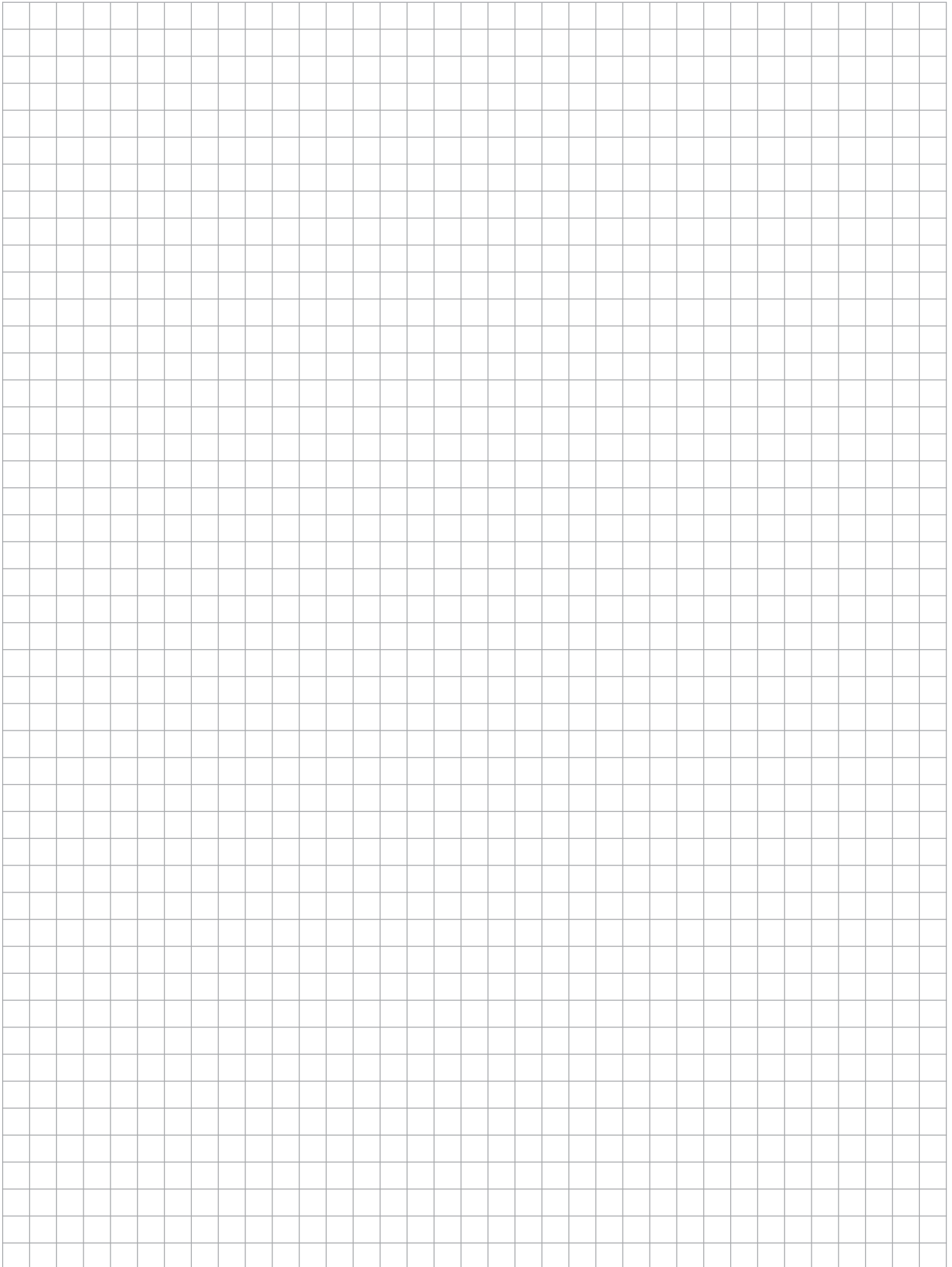
- Material: UHR/S = Polyethylene high molecular weight (1.000.000)
UHV-TP = Polyethylene ultra high molecular weight (4.000.000)

Color: Black
Color: Cobalt blue

Corner tracks

Type	L [mm]	N° ways	P [mm]	R [mm]	A [mm]	B [mm]	C [mm]	D [mm]	S [mm]	Chain						
CT880K325R500T1	100	1	–	500	45	70	10	17,5	25	879 TAB K325 880 TAB K325						
CT880K325R500T2	190	2	88													
CT880K325R500T3	280	3	88													
CT880K325R610T1	100	1	–	610												
CT880K325R610T2	190	2	88													
CT880K325R610T3	280	3	88													
CT880K325R800T1	100	1	–	800												
CT880K325R800T2	190	2	88													
CT880K325R800T3	280	3	88													
CT880K325R1000T1	100	1	–	1000												
CT880K325R1000T2	190	2	88													
CT880K325R1000T3	280	3	88													
CT880K450R500T1	130	1	–	500	45	70	10	17,5	25	879 TAB K450 880 TAB K450						
CT880K450R500T2	250	2	120													
CT880K450R610T1	130	1	–								610					
CT880K450R610T2	250	2	120													
CT880K450R800T1	130	1	–	800												
CT880K450R800T2	250	2	120													
CT880K450R1000T1	130	1	–								1000					
CT880K450R1000T2	250	2	120													
CT882K450R610T1	130	1	–	610							60	90	15	24	30	882 TAB K450
CT882K450R610T2	250	2	120													
CT882K450R800T1	130	1	–	800												
CT882K450R800T2	250	2	120													
CT882K450R1000T1	130	1	–	1,000												
CT882K450R1000T2	250	2	120													
CT882K750R610T1	200	1	–	610	60	90	15	24	30	882 TAB K750						
CT882K750R610T2	396	2	196													
CT882K750R800T1	200	1	–	800												
CT882K750R800T2	396	2	196													
CT882K750R1000T1	200	1	–	1,000												
CT882K750R1000T2	396	2	196													
CT882K1000R610T1	270	1	–	610	60	90	15	24	30	882 TAB K1000						
CT882K1000R610T2	530	2	260													
CT882K1000R800T1	270	1	–	800												
CT882K1000R800T2	530	2	260													
CT882K1000R1000T1	270	1	–	1,000												
CT882K1000R1000T2	530	2	260													
CT882K1200R610T1	320	1	–	610	60	90	15	24	30	882 TAB K1200						
CT882K1200R610T2	630	2	310													
CT882K1200R800T1	320	1	–	800												
CT882K1200R800T2	630	2	310													
CT882K1200R1000T1	320	1	–	1,000												
CT882K1200R1000T2	630	2	310													

Notes

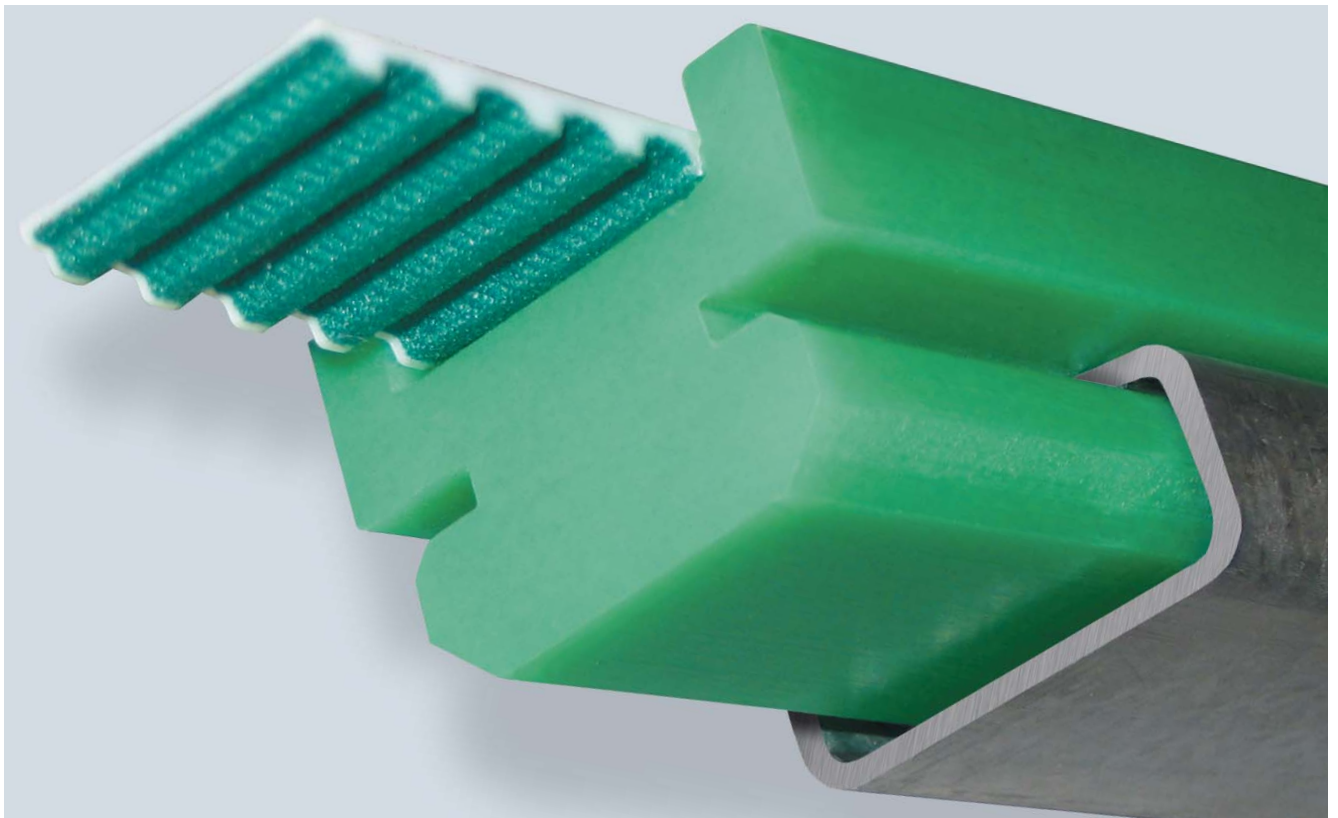


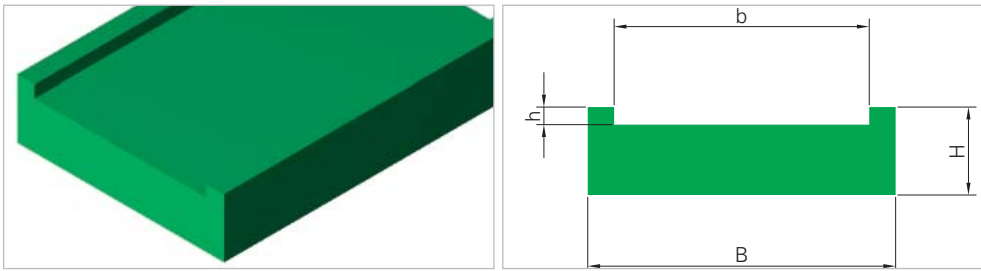
Habasit has developed HabaSYNC® timing belts. These high quality polyurethane timing belts are used in conveying and linear movement applications specially where motion control, product placement, component positioning and synchronization are essential for optimum performance.

The main advantages of HabiPLAST® guides in relation to timing belts are:

- High chemical resistance
- Wear and corrosion resistance
- Low noise

HabiPLAST® is available to fit standard HabaSYNC® belts and can be supplied with or without metallic inserts. Standard material for HabaSYNC® guides is UHR/G green, different materials are available on demand.





Guide	Belt type	B [mm]	H [mm]	b [mm]	h [mm]
F T5 16	16 T5	25	10	17	1.8
F T5 25	25 T5	34	10	26	1.8
F T5 32	32 T5	41	10	33	1.8

Guide	Belt type	B [mm]	H [mm]	b [mm]	h [mm]
F T10 16	16 T10	25	15	17	3.8
F T10 25	25 T10	34	15	26	3.8
F T10 32	32 T10	41	15	33	3.8
F T10 50	50 T10	59	15	51	3.8
F T10 75	75 T10	84	15	76	3.8
F T10 100	100 T10	109	15	101	3.8

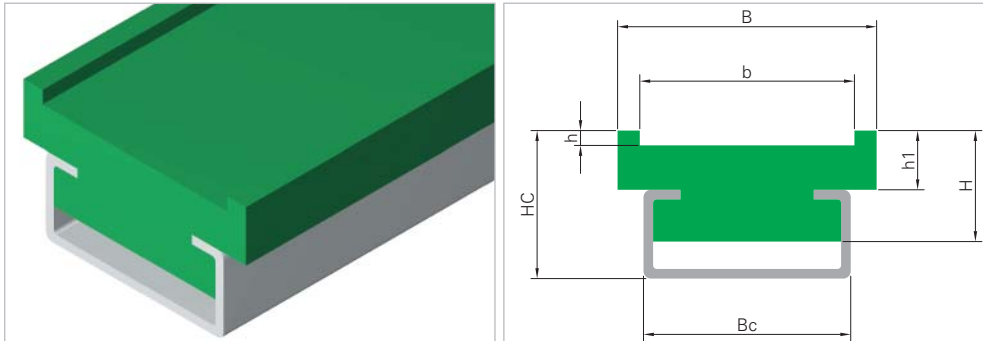
Guide	Belt type	B [mm]	H [mm]	b [mm]	h [mm]
F T20 25	25 T20	34	20	26	7
F T20 32	32 T20	41	20	33	7
F T20 50	50 T20	59	20	51	7

Guide	Belt type	B [mm]	H [mm]	b [mm]	h [mm]
F AT5 16	16 AT5	25	10	17	2.2
F AT5 25	25 AT5	34	10	26	2.2
F AT5 32	32 AT5	41	10	33	2.2

Guide	Belt type	B [mm]	H [mm]	b [mm]	h [mm]
F AT10 16	16 AT10	25	15	17	3.8
F AT10 25	25 AT10	34	15	26	3.8
F AT10 32	32 AT10	41	15	33	3.8
F AT10 50	50 AT10	59	15	51	3.8
F AT10 75	75 AT10	84	15	76	3.8
F AT10 100	100 AT10	109	15	101	3.8

Guide	Belt type	B [mm]	H [mm]	b [mm]	h [mm]
F AT20 25	25 AT20	34	20	26	7
F AT20 32	32 AT20	41	20	33	7
F AT20 50	50 AT20	59	20	51	7

- Standard length = 3 m



Guide Type	Belt type	B [mm]	Bc [mm]	b [mm]	Hc [mm]	H [mm]	h1 [mm]	h [mm]	Metallic profile type
FC T5 16	16 T5	25	28	17	19	15	7	1.8	C-5
FC T5 25	25 T5	34	28	26	19	15	7	1.8	C-5
FC T5 32	32 T5	41	38	33	25	20	7	1.8	C-9

Guide Type	Belt type	B [mm]	Bc [mm]	b [mm]	Hc [mm]	H [mm]	h1 [mm]	h [mm]	Metallic profile type
FC T10 16	16 T10	25	28	17	21	17	9	3.8	C-5
FC T10 25	25 T10	34	28	26	21	17	9	3.8	C-5
FC T10 32	32 T10	41	38	33	27	22	9	3.8	C-9
FC T10 50	50 T10	59	38	51	27	22	9	3.8	C-9

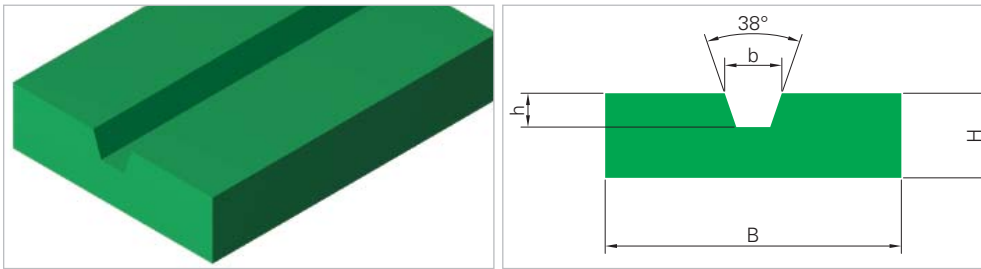
Guide	Belt type	B [mm]	Bc [mm]	b [mm]	Hc [mm]	H [mm]	h1 [mm]	h [mm]	Metallic profile type
FC T20 25	25 T20	34	28	26	24	20	12	7	C-5
FC T20 32	32 T20	41	38	33	30	25	12	7	C-9
FC T20 50	50 T20	59	38	51	30	25	12	7	C-9

Guide	Belt type	B [mm]	Bc [mm]	b [mm]	Hc [mm]	H [mm]	h1 [mm]	h [mm]	Metallic profile type
FC AT5 16	16 AT5	25	28	17	19	15	7	2.2	C-5
FC AT5 25	25 AT5	34	28	26	19	15	7	2.2	C-5
FC AT5 32	32 AT5	41	38	33	25	20	7	2.2	C-9

Guide	Belt type	B [mm]	Bc [mm]	b [mm]	Hc [mm]	H [mm]	h1 [mm]	h [mm]	Metallic profile type
FC AT10 16	16 AT10	25	28	17	21	17	9	3.8	C-5
FC AT10 25	25 AT10	34	28	26	21	17	9	3.8	C-5
FC AT10 32	32 AT10	41	38	33	27	22	9	3.8	C-9
FC AT10 50	50 AT10	59	38	51	27	22	9	3.8	C-9

Guide	Belt type	B [mm]	Bc [mm]	b [mm]	Hc [mm]	H [mm]	h1 [mm]	h [mm]	Metallic profile type
FC AT20 25	25 AT20	34	28	26	24	20	12	7	C-5
FC AT20 32	32 AT20	41	38	33	30	25	12	7	C-9
FC AT20 50	50 AT20	59	38	51	30	25	12	7	C-9

- Standard length = 3 m



Guide	Belt type	B [mm]	H [mm]	Shape G6		Shape G10	
				h [mm]	b [mm]	h [mm]	b [mm]
FV TG5 25	25 TG5	34	10	4	6	4.5	10
FV TG5 32	32 TG5	41	10	4	6	4.5	10

Guide	Belt type	B [mm]	H [mm]	Shape G6		Shape G10	
				h [mm]	b [mm]	h [mm]	b [mm]
FV TG10 25	25 TG10	34	10	4	6	4.5	10
FV TG10 32	32 TG10	41	10	4	6	4.5	10
FV TG10 50	50 TG10	59	15	4	6	4.5	10
FV TG10 75	75 TG10	84	15	4	6	4.5	10
FV TG10 100	100 TG10	109	15	4	6	4.5	10

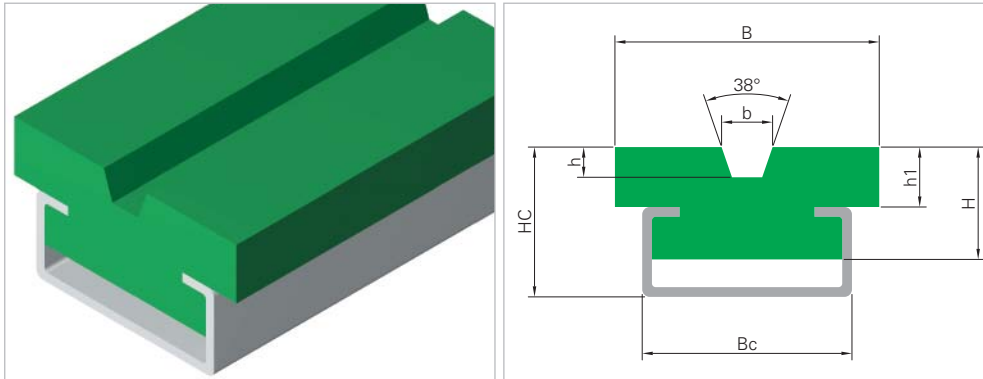
Guide	Belt type	B [mm]	H [mm]	Shape G10		Shape G13	
				h [mm]	b [mm]	h [mm]	b [mm]
FV TG20 25	25 TG20	34	20	4.5	10	3	13
FV TG20 32	32 TG20	41	20	4.5	10	3	13
FV TG20 50	50 TG20	59	20	4.5	10	3	13

Guide	Belt type	B [mm]	H [mm]	Shape G6		Shape G10	
				h [mm]	b [mm]	h [mm]	b [mm]
FV ATG5 25	25 ATG5	34	10	4	6	4.5	10
FV ATG5 32	32 ATG5	41	10	4	6	4.5	10

Guide	Belt type	B [mm]	H [mm]	Shape G6		Shape G10	
				h [mm]	b [mm]	h [mm]	b [mm]
FV ATG10 25	25 ATG10	34	10	4	6	4.5	10
FV ATG10 32	32 ATG10	41	10	4	6	4.5	10
FV ATG10 50	50 ATG10	59	15	4	6	4.5	10
FV ATG10 75	75 ATG10	84	15	4	6	4.5	10
FV ATG10 100	100 ATG10	109	15	4	6	4.5	10

Guide	Belt type	B [mm]	H [mm]	Shape G10		Shape G13	
				h [mm]	b [mm]	h [mm]	b [mm]
FV ATG20 25	25 ATG20	34	20	4.5	10	3	13
FV ATG20 32	32 ATG20	41	20	4.5	10	3	13
FV ATG20 50	50 ATG20	59	20	4.5	10	3	13

- Standard length = 3 m



Guide	Belt type	B [mm]	Bc [mm]	Hc [mm]	H [mm]	h1 [mm]	Shape G6		Shape G10		Metallic profile type
							h [mm]	b [mm]	h [mm]	b [mm]	
FCV TG5 25	25 TG5	34	28	19	15	7	4	6	4.5	10	C-5
FCV TG5 32	32 TG5	41	38	25	20	7	4	6	4.5	10	C-9

Guide	Belt type	B [mm]	Bc [mm]	Hc [mm]	H [mm]	h1 [mm]	Shape G6		Shape G10		Metallic profile type
							h [mm]	b [mm]	h [mm]	b [mm]	
FCV TG10 25	25 TG10	34	28	21	17	9	4	6	4.5	10	C-5
FCV TG10 32	32 TG10	41	38	27	22	9	4	6	4.5	10	C-9
FCV TG10 50	50 TG10	59	38	27	22	9	4	6	4.5	10	C-9

Guide	Belt type	B [mm]	Bc [mm]	Hc [mm]	H [mm]	h1 [mm]	Shape G10		Shape G13		Metallic profile type
							h [mm]	b [mm]	h [mm]	b [mm]	
FCV TG20 25	25 TG20	34	28	24	20	12	4,5	10	3	13	C-5
FCV TG20 32	32 TG20	41	38	30	25	12	4,5	10	3	13	C-9
FCV TG20 50	50 TG20	59	38	30	25	12	4,5	10	3	13	C-9

Guide	Belt type	B [mm]	Bc [mm]	Hc [mm]	H [mm]	h1 [mm]	Shape G6		Shape G10		Metallic profile type
							h [mm]	b [mm]	h [mm]	b [mm]	
FCV ATG5 25	25 ATG5	34	28	19	15	7	4	6	4.5	10	C-5
FCV ATG5 32	32 ATG5	41	38	25	20	7	4	6	4.5	10	C-9

Guide	Belt type	B [mm]	Bc [mm]	Hc [mm]	H [mm]	h1 [mm]	Shape G6		Shape G10		Metallic profile type
							h [mm]	b [mm]	h [mm]	b [mm]	
FCV ATG10 25	25 ATG10	34	28	21	17	9	4	6	4.5	10	C-5
FCV ATG10 32	32 ATG10	41	38	27	22	9	4	6	4.5	10	C-9
FCV ATG10 50	50 ATG10	59	38	27	22	9	4	6	4.5	10	C-9

Guide	Belt type	B [mm]	Bc [mm]	Hc [mm]	H [mm]	h1 [mm]	Shape G10		Shape G13		Metallic profile type
							h [mm]	b [mm]	h [mm]	b [mm]	
FCV ATG20 25	25 ATG20	34	28	24	20	12	4,5	10	3	13	C-5
FCV ATG20 32	32 ATG20	41	38	30	25	12	4,5	10	3	13	C-9
FCV ATG20 50	50 ATG20	59	38	30	25	12	4,5	10	3	13	C-9

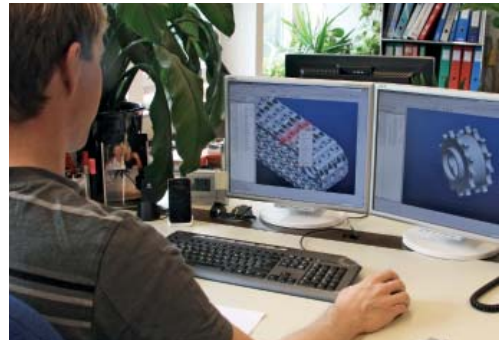
- Standard length = 3 m

Comprehensive services are central to Habasit's belting solution approach.

As committed partners to our customers, we are dedicated to sharing our knowledge and to providing you with full support.

Designing the future

Our engineering department uses the most advanced CAD/CAM systems. We can machine parts on the basis of customer's drawings, quickly and always with excellent quality.



CNC machining tools

HabiPLAST® plants are equipped with the state of the art machining tools. All the machines are connected by LAN and the production flow is checked in real time, in order to provide always deliveries on time.



Short lead times

Quick deliveries are guaranteed also by HabiPLAST® stocks of standard materials. Chain guides and extruded profiles are always available in our warehouse.



Services at your hand

We are where you are, and our dedicated staff is always available for your needs.





Customers first

At Habasit we understand that our success depends on your success. This is why we offer solutions, not just products; partnership, not just sales. Since our foundation in 1946, Habasit has brought this understanding of customer needs to life every day and for every application. That's why we're the No. 1 in belting today. Worldwide. Learn more on www.habasit.com

Committed to innovation

Because our customers' belting challenges and needs never cease, we consistently dedicate a substantial percentage of our employees and resources to the research and development of new products and solutions.

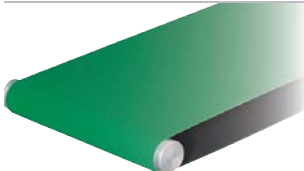
Certified for quality

We deliver the highest quality standards not only in our products and solutions, but also in our employees' daily work processes. Habasit AG is certified according to ISO 9001:2008.

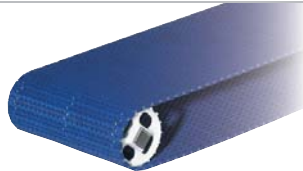


Worldwide leading product range

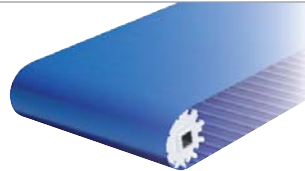
Habasit offers the largest selection of belting, conveying, processing and complementary products in the industry. Our response to any request is nothing less than a specific, tailor-made solution.



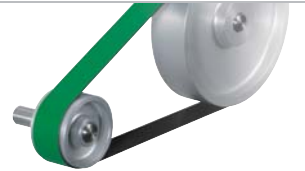
Fabric-based conveyor and processing belts
HabaFLOW®



Plastic modular belts
HabasitLINK®



Positive drive conveyor and processing belts
Habasit Cleandrive™



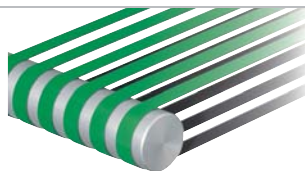
Power transmission belts
HabaDRIVE®



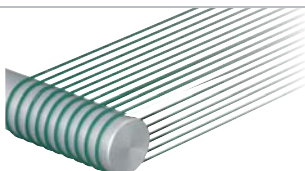
Timing belts
HabaSYNC®



Chains (slat and conveyor chains)
HabaCHAIN®



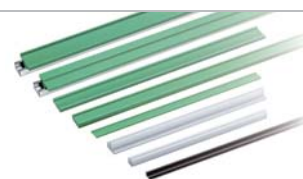
Machine tapes



Round belts



Seamless belts



Profiles, Guides, Wear strips
HabiPLAST®



Fabrication tools (joining tools)



Gearmotors
Electric motors
Motion control

Australia

Habasisit Pty Ltd.
Silverwater
Phone: +61 1300 945 455
www.habasisit.com.au

Austria

Habasisit GmbH
Wien
Phone: +43 1 690 66
www.habasisit.at

Belgium

Habasisit Belgium N.V.
Zaventem
Phone: +32 27 250 430
www.habasisit.be
www.habasisit.lu

Canada

Habasisit Canada Ltd.
Oakville
Phone: +1 905 827 41 31
www.habasisit.ca

China

Habasisit East Asia Ltd.
Hong Kong
Phone: +85 221 450 150
www.habasisit.com.hk

Habasisit (Shanghai) Co. Ltd.
Shanghai
Phone: +8621 5488 1228
Phone: +8621 5488 1218
www.habasisit.com.hk

France

Habasisit France S.A.S.
Mulhouse
Phone: +33 389 338 903
www.habasisit.fr

Germany

Habasisit GmbH
Eppertshausen
Phone: +49 6071 969 0
www.habasisit.de

India

Habasisit-lakoka Pvt. Ltd.
Coimbatore
Phone: +91 422 262 78 79
www.habasisitlakoka.com

Italy

Habasisit Italiana SpA
Customer Care:
Phone: 199 199 333
For int. calls: +39 0438 911 444
www.habasisit.it

Japan

Habasisit Nippon Co. Ltd.
Yokohama
Phone: +81 45 476 0371
www.habasisit.co.jp

Netherlands

Habasisit Netherlands BV
Nijkerk
Phone: +31 332 472 030
www.habasisit.nl

New Zealand

Habasisit Ltd.
Auckland
Phone: 0800 000 070
www.habasisit.co.nz

Poland

Habasisit Polska Sp. z o.o.
Dąbrowa Górnicza
Phone: +48 32 639 02 40
www.habasisit.pl

Russia

OOO Habasisit Ltd.
St. Petersburg
Phone: +7 812 600 40 80
www.habasisit.ru

Singapore

Habasisit Far East Pte. Ltd.
Singapore
Phone: +65 686 255 66
www.habasisit.com.sg

South Africa

Habasisit South Africa (Pty) Ltd.
Gauteng
Phone: +27 10 001 6770
www.habasisit.co.za

Spain

Habasisit Hispanica S.A.
Barberà del Vallès
Phone: +34 937 191 912
www.habasisit.es

Sweden

Habasisit AB
Hindas
Phone: +46 30 122 600
www.habasisit.se

Switzerland

Habasisit GmbH
Reinach
Phone: +41 61 577 51 00
www.habasisit.ch

Taiwan

Habasisit (Taiwan) Ltd.
Taipei Hsien
Phone: +886 2 2267 0538
www.habasisit.com.tw

Turkey

Habasisit Kayis San. Ve Tic. Ltd. Sti.
Istanbul
Phone: +90 444 70 43
www.habasisit.com.tr

Ukraine

Habasisit Ukraine LLC.
Vinnitsa
Phone: +38 0432 58 47 35
www.habasisit.ua

United Kingdom and Ireland

Habasisit (UK) Ltd.
Silsden
Phone: +44 844 835 9555
www.habasisit.co.uk

USA

Habasisit America
Suwanee, Georgia
Phone: +1 800 458 6431
www.habasisitamerica.com

Headquarters

Habasisit AG
Römerstrasse 1
CH-4153 Reinach, Switzerland
Phone +41 61 715 15 15
Fax +41 61 715 15 55
E-mail info@habasisit.com
www.habasisit.com



Registered trademarks
Copyright Habasisit AG
Subject to alterations
Printed in Switzerland
Publication data:
4097BRO.VPR-en0815HQR