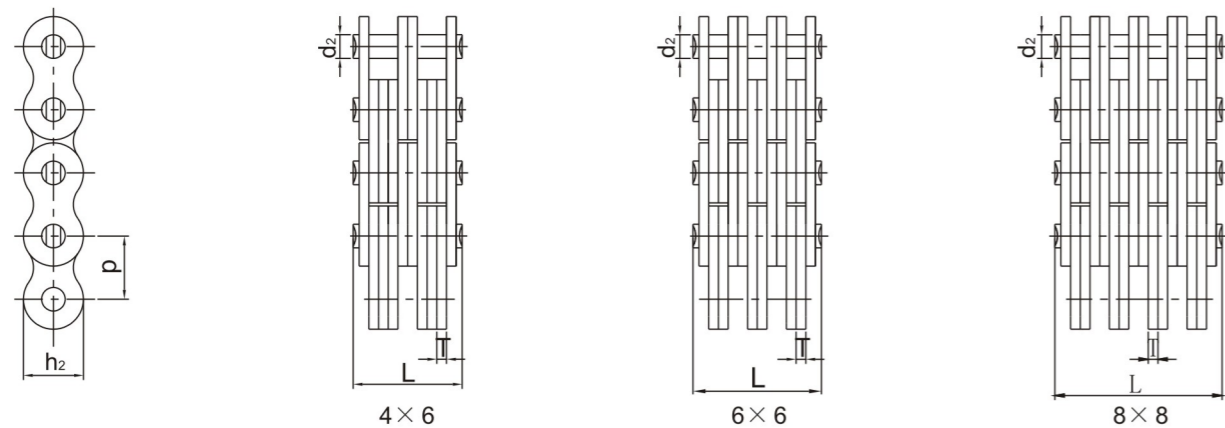
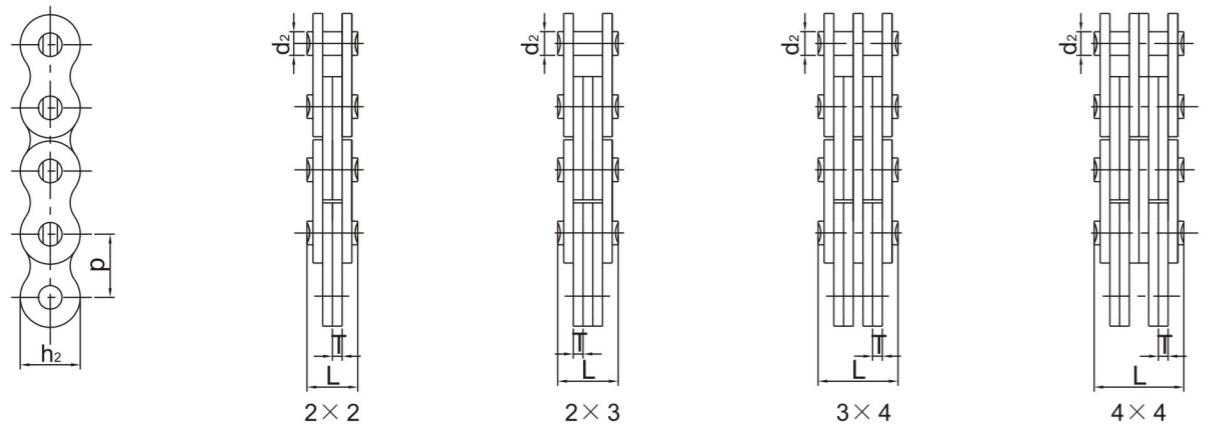


环球 板式链组合形式
Leaf chains plates lacing type



AL板式链系列 环球
AL leaf chains series

ANSI 链号 ANSI Chain No.	节距 Pitch	链板组合 Plates lacing	链板高度 Plate depth	链板厚度 Plate thickness	销轴直径 Pin diameter	销轴长度 Pin length	抗拉强度 Ultimate tensile strength	平均抗拉强度 Average tensile strength	每米重量 Weight per meter
	P		h_2 max	T	d_2 max	L max	Q min	Q_0	q
	mm			mm	mm	mm	kN	kN	kg/m
AL422	12.70	2 × 2	10.40	1.50	3.96	7.90	14.10	16.90	0.39
AL444		4 × 4				14.40	28.20	35.20	0.74
AL466		6 × 6				20.50	42.30	52.70	1.10
AL522	15.875	2 × 2	12.80	2.06	5.08	10.30	22.00	27.50	0.61
AL544		4 × 4				18.90	44.00	55.00	1.19
AL566		6 × 6				26.90	66.00	82.50	1.79
AL622	19.05	2 × 2	15.60	2.44	5.94	12.40	37.00	44.40	0.86
AL644		4 × 4				22.70	64.00	76.80	1.69
AL666		6 × 6				32.40	101.00	121.20	2.52
AL822	25.40	2 × 2	20.50	3.26	7.92	16.00	56.70	68.60	1.54
AL844		4 × 4				29.40	113.40	135.60	3.00
AL866		6 × 6				42.50	170.00	202.30	4.46
AL1022	31.75	2 × 2	25.60	4.00	9.53	19.60	88.50	107.10	2.37
AL1044		4 × 4				35.90	177.00	203.60	4.68
AL1066		6 × 6				52.30	265.00	315.80	7.00
AL1222	38.10	2 × 2	30.50	4.80	11.10	24.30	127.00	151.10	3.65
AL1244		4 × 4				43.80	254.00	299.70	7.05
AL1266		6 × 6				63.00	381.00	426.30	10.44
AL1422	44.45	2 × 2	36.40	5.65	12.70	28.07	151.23	182.37	4.79
AL1444		4 × 4				51.30	372.70	413.60	10.34
AL1466		6 × 6				74.56	559.00	620.40	15.16
AL1622	50.80	2 × 2	41.60	6.45	14.27	32.94	191.26	231.13	5.98
AL1644		4 × 4				58.06	471.00	522.80	12.98
AL1666		6 × 6				84.46	706.00	783.60	19.41

环球 轻系列板式链LL系列
Light series leaf chains LL series

ISO 链号 ISO Chain No.	节距 Pitch	链板组合 Plates lacing	链板高度 Plate depth	链板厚度 Plate thickness	销轴直径 Pin diameter	销轴长度 Pin length	抗拉强度 Ultimate tensile strength	平均抗拉强度 Average tensile strength	每米重量 Weight per meter
	P		h ₂ max	T	d ₂ max	L max	Q min	Q ₀	q ≈
	mm		mm	mm	mm	mm	kN	kN	kg/m
LL0822	12.70	2 × 2	10.92	1.30	4.45	7.60	17.80	20.40	0.40
LL0844		4 × 4				13.00	31.10	35.70	0.80
LL0866		6 × 6				18.40	44.50	51.20	1.20
LL1022	15.875	2 × 2	13.72	1.65	5.08	9.30	22.20	25.50	0.50
LL1044		4 × 4				16.10	44.50	52.50	1.00
LL1066		6 × 6				22.90	66.70	76.70	1.50
LL1222	19.05	2 × 2	16.13	1.90	5.72	10.70	28.90	33.20	0.70
LL1244		4 × 4				18.50	57.80	66.40	1.30
LL1266		6 × 6				26.30	86.70	99.70	2.00
LL1622	25.40	2 × 2	21.08	3.20	8.28	17.20	58.00	66.70	1.50
LL1644		4 × 4				30.20	116.00	132.20	3.00
LL1666		6 × 6				43.20	174.00	198.30	4.40
LL2022	31.75	2 × 2	26.42	3.70	10.19	20.10	95.00	109.20	2.30
LL2044		4 × 4				35.10	190.00	218.50	4.40
LL2066		6 × 6				50.10	285.00	324.60	6.60
LL2422	38.10	2 × 2	33.40	5.20	14.63	28.40	170.00	195.50	4.40
LL2444		4 × 4				49.40	340.00	380.80	8.50
LL2466		6 × 6				70.40	510.00	571.20	12.50
LL2822	44.45	2 × 2	37.08	6.45	15.90	34.00	200.00	224.00	5.40
LL2844		4 × 4				60.00	400.00	448.00	10.50
LL2866		6 × 6				86.00	600.00	672.00	15.50
LL3222	50.80	2 × 2	42.29	6.45	17.81	35.00	260.00	291.20	6.20
LL3244		4 × 4				61.00	520.00	582.40	12.10
LL3266		6 × 6				87.00	780.00	873.60	18.00
LL4022	63.50	2 × 2	52.76	8.25	22.89	44.70	360.00	403.20	10.30
LL4044		4 × 4				77.90	780.00	873.60	20.00
LL4066		6 × 6				111.10	1080.00	1209.60	29.50
LL4822	76.20	2 × 2	63.88	10.30	29.24	56.10	560.00	627.20	18.50
LL4844		4 × 4				97.40	1120.00	1254.40	35.70
LL4866		6 × 6				138.90	1680.00	1880.10	53.00

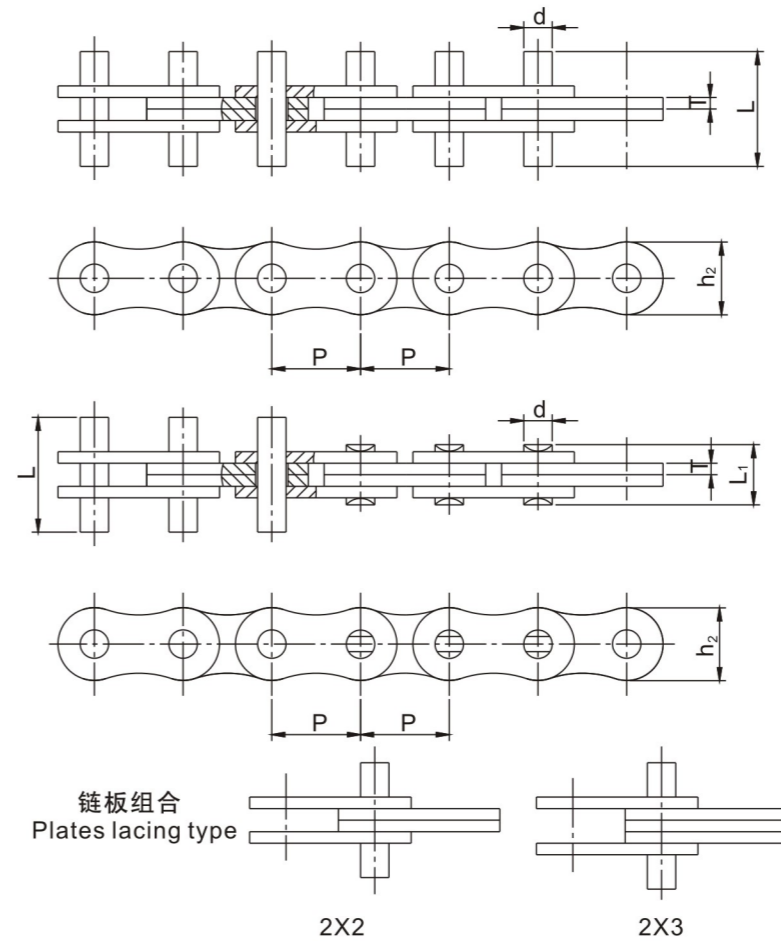
重系列板式链LH (BL) 系列
Heavy series leaf chains LH (BL) series

ISO 链号 ISO Chain No.	ANSI 链号 ANSI Chain No.	节距 Pitch	链板组合 Plates lacing	链板高度 Plate depth	链板厚度 Plate thickness	销轴直径 Pin diameter	销轴长度 Pin length	抗拉强度 Ultimate tensile strength	平均抗拉强度 Average tensile strength	每米重量 Weight per meter
		P		h ₂ max	T	d ₂ max	L max	Q min	Q ₀	q ≈
		mm		mm	mm	mm	mm	kN	kN	kg/m
LH0822	BL422	12.70	2 × 2	12.07	2.08	5.09	11.05	22.20	27.60	0.60
LH0823	BL423		2 × 3				13.16	22.20	27.60	0.75
LH0834	BL434		3 × 4				17.40	33.40	41.40	1.03
LH0844	BL444		4 × 4				19.51	44.50	56.00	1.17
LH0846	BL446		4 × 6				23.75	44.50	56.00	1.46
LH0866	BL466		6 × 6				27.99	66.70	81.70	1.74
LH0888	BL488	8 × 8	36.45	89.00	109.40	2.33				
LH1022	BL522	15.875	2 × 2	15.09	2.44	5.96	12.90	33.40	42.80	0.95
LH1023	BL523		2 × 3				15.37	33.40	42.80	1.17
LH1034	BL534		3 × 4				20.32	48.90	63.60	1.63
LH1044	BL544		4 × 4				22.78	66.70	84.50	1.85
LH1046	BL546		4 × 6				27.74	66.70	84.50	2.31
LH1066	BL566		6 × 6				32.69	100.10	125.10	2.76
LH1088	BL588	8 × 8	42.57	133.40	169.50	3.67				
LH1222	BL622	19.05	2 × 2	18.11	3.30	7.94	17.37	48.90	63.60	1.55
LH1223	BL623		2 × 3				20.73	48.90	63.60	1.92
LH1234	BL634		3 × 4				27.43	75.60	102.60	2.67
LH1244	BL644		4 × 4				30.78	97.90	122.30	3.02
LH1246	BL646		4 × 6				37.49	97.90	122.30	3.75
LH1266	BL666		6 × 6				44.20	146.80	190.80	4.50
LH1288	BL688	8 × 8	57.61	195.70	238.80	6.01				
LH1622	BL822	25.40	2 × 2	24.13	4.09	9.54	21.34	84.50	108.20	2.43
LH1623	BL823		2 × 3				25.48	84.50	108.20	3.02
LH1634	BL834		3 × 4				33.76	129.00	143.60	4.20
LH1644	BL844		4 × 4				37.90	169.00	214.60	4.77
LH1646	BL846		4 × 6				46.18	169.00	214.60	5.90
LH1666	BL866		6 × 6				54.46	253.60	324.50	7.10
LH1688	BL888	8 × 8	71.02	338.10	432.70	9.43				
LH2022	BL1022	31.75	2 × 2	30.18	4.90	11.11	25.37	115.60	146.80	3.60
LH2023	BL1023		2 × 3				30.33	115.60	146.80	4.50
LH2034	BL1034		3 × 4				40.23	182.40	231.60	6.25
LH2044	BL1044		4 × 4				45.19	231.30	291.40	7.10
LH2046	BL1046		4 × 6				55.09	231.30	291.40	8.90
LH2066	BL1066		6 × 6				65.00	347.00	430.30	10.60
LH2088	BL1088	8 × 8	84.81	462.60	555.10	14.10				

环球 重系列板式链LH (BL) 系列
Heavy series leaf chains LH (BL) series

ISO 链号 ISO Chain No.	ANSI 链号 ANSI Chain No.	节距 Pitch	链板组合 Plates lacing	链板高度 Plate depth	链板厚度 Plate thickness	销轴直径 Pin diameter	销轴长度 Pin length	抗拉强度 Ultimate tensile strength	平均抗拉强度 Average tensile strength	每米重量 Weight per meter
		P mm		h_2 max	T mm	d_2 max	L max	Q min kN	Q_0 kN	
LH2422	BL1222	38.10	2 × 2	36.20	5.77	12.71	29.62	151.20	192.00	5.40
LH2423	BL1223		2 × 3				35.43	151.20	192.00	6.70
LH2434	BL1234		3 × 4				47.07	244.60	308.10	9.30
LH2444	BL1244		4 × 4				52.88	302.50	381.10	10.60
LH2446	BL1246		4 × 6				64.52	302.50	381.10	13.30
LH2466	BL1266		6 × 6				76.15	453.70	543.60	15.90
LH2488	BL1288		8 × 8				99.42	605.00	726.00	21.10
LH2822	BL1422	44.45	2 × 2	42.24	6.55	14.29	33.55	191.30	225.70	7.05
LH2823	BL1423		2 × 3				40.16	191.30	225.70	8.75
LH2834	BL1434		3 × 4				53.37	315.80	372.60	12.20
LH2844	BL1444		4 × 4				59.97	382.60	451.20	13.90
LH2846	BL1446		4 × 6				73.18	382.60	451.20	17.30
LH2866	BL1466		6 × 6				86.39	578.30	682.40	20.70
LH2888	BL1488		8 × 8				112.80	765.10	902.80	27.50
LH3222	BL1622	50.80	2 × 2	48.26	7.52	17.46	39.01	289.10	341.10	9.14
LH3223	BL1623		2 × 3				46.58	289.10	341.10	11.34
LH3234	BL1634		3 × 4				61.72	440.40	519.60	15.75
LH3244	BL1644		4 × 4				69.29	578.30	680.40	17.95
LH3246	BL1646		4 × 6				84.43	578.30	680.40	22.36
LH3266	BL1666	6 × 6	99.57	857.40	1000.70	26.77				
LH3288	BL1688	8 × 8	129.84	1156.50	1364.60	35.60				
LH4022	BL2022	63.50	2 × 2	60.33	9.91	23.81	51.74	433.70	511.70	15.80
LH4023	BL2023		2 × 3				61.70	433.70	511.70	19.80
LH4034	BL2034		3 × 4				81.61	649.40	766.20	27.70
LH4044	BL2044		4 × 4				91.57	867.40	1023.50	31.60
LH4046	BL2046		4 × 6				111.48	867.40	1023.50	39.50
LH4066	BL2066		6 × 6				131.39	1301.10	1535.20	47.40
LH4088	BL2088		8 × 8				171.22	1734.80	2046.50	63.20

管子钳链 环球
Wrench chains UNIVERSAL TECHNOLOGY



链号 Chain No.	节距 Pitch	链板组合 Plates lacing	链板高度 Plate depth	链板厚度 Plate thickness	销轴直径 Pin diameter	销轴长度 Pin length		抗拉强度 Ultimate tensile strength	每米重量 Weight per meter
	P mm		h_2 max	T mm	d max	L max	L_1 max	Q min kN	q ≈ kg/m
AL522a	15.875	2 × 2	13.03	2.06	5.08	20.50	-	24.50	0.77
AL522b						17.20	-	24.50	0.70
AL522WR-16						16.00	-	21.80	0.72
AL522WR-1 1.02/20.5						20.50	11.02	21.80	0.73
AL622a	19.05	2 × 2	15.62	3.26	5.94	23.30	16.30	44.10	1.07
AL622b				2.44			-	33.35	0.88
AL822a	25.40	2 × 2	20.83	3.26	7.92	30.00	-	55.60	1.73
BL622a	19.05	2 × 2	18.11	3.26	7.92	29.00	-	48.90	1.81
BL822a	25.40	2 × 2	24.13	内链板-3.70 外链板-4.09	9.54	36.00	-	169.00	2.82
BL823a		2 × 3		4.09		34.00	-	98.00	3.40
LL1022a	15.875	2 × 2	13.72	1.70	5.08	14.00	-	22.20	0.64